

House One Interior Sliding Door Gear

FOR QUIET AND RELIABLE OPERATION

APPLICATION

Internal sliding door gear for domestic and similar use.

RANGE

- Maximum door weight 45kg (100lb).
- Maximum door width 1050mm (3ft 6ins).
- Maximum door height 2.1m (7ft).

DOOR CONSTRUCTION

Door thickness 30 to 44mm. Drawing shows how doors can achieve an evenly balanced elevation from both sides.

FIXING

Top track side fixed. For soffit fixing use soffit fixing brackets. Door guide fixed to the reveal, leaving a clear threshold. Hangers have vertical and lateral adjustment. For cavities, use Straightaway 100 (see page 20).

HANGERS

Single nylon wheel on ground steel axle. Steel door plates.

TRACK

Aluminium, drilled and c/sk for side fixing.

DOOR GUIDE

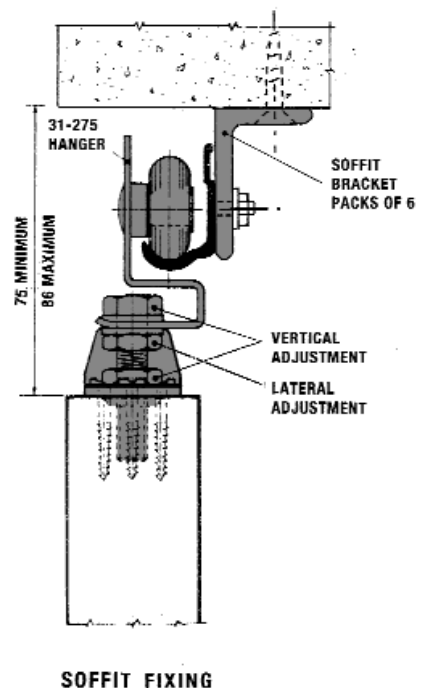
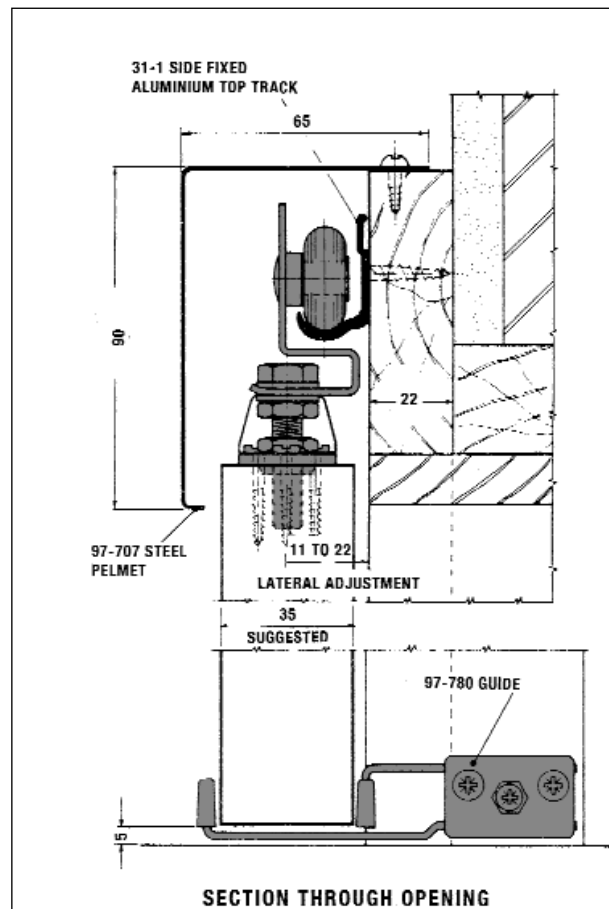
97-780 Nylon, two screw fixings, adjustable.

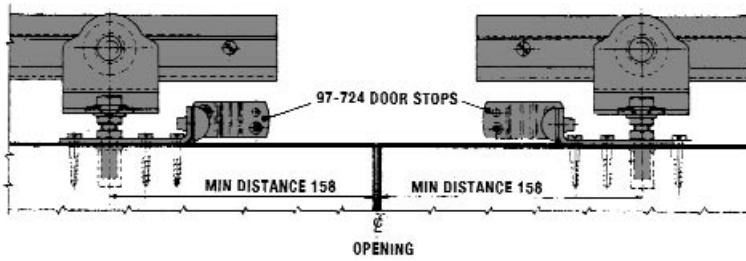
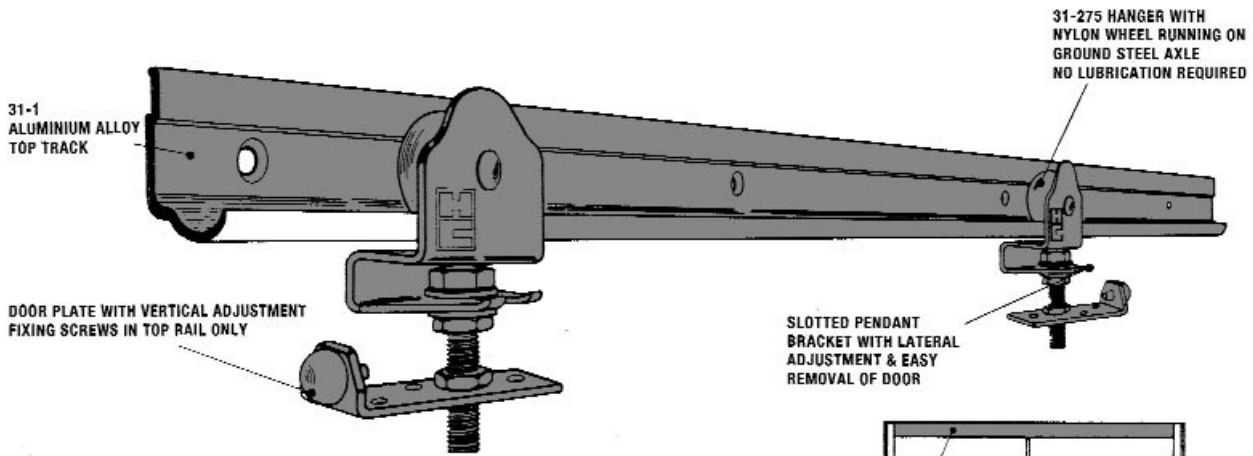
HOUSE ONE INTERIOR SLIDING DOOR GEAR

SET 1 – Side fixing for doors 600 to 750mm wide.

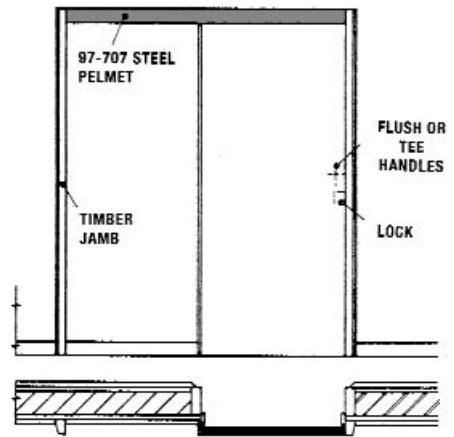
SET 2 – Side fixing for doors 750 to 900mm wide.

SET 3 – Side fixing for doors 900 to 1050mm wide. Contents per set, 1 length of aluminium top track, 1 pair adjustable hangers, door guide, door stops, installation details and all screws.





BI-PARTING DOORS



ELEVATION & PLAN

