

Uniclass L4181	EPIC D181
CI/SfB (31.59) X	

MARCH 2003

Façade®

Sliding/Folding Door Hardware

Façade® is the latest in sliding/folding door hardware for fully rebated timber doors. Specially developed for quality applications, Façade® is a product to meet the growing demand for clear access to terraces and patios in both commercial and domestic situations.

Available in both gold and silver anodised aluminium finishes, Façade® allows doors to be rebated in the usual way within a frame, to provide a proper draught seal. All door leaves should be of equal width but the system requires that 3 or 5 leaves are used.

Best performance is achieved when the doors open outwards, but the system can be adapted with a flat cill where inward opening is preferred. Façade® does not include the doors.



SPECIFICATION

Maximum leaf weight 60kg
 Maximum leaf height 3000mm
 Maximum leaf width 900mm
 Recommended door thickness 44mm
 3 or 5 door leaves can be hinged together and to the frame.
 Odd numbers of doors only.
 No floating suites.

COMPONENTS

		Quantities Needed	
		3 Door	5 Door
GOLD ANODISED			
08661	Bottom Roller	1	2
08662	Top Guide	1	2
08663	Intermediate Hinge	1	2
95615	Flush Handle*	3	5
95553	Hinges (pack of 3)*	2	3
SILVER ANODISED			
08761	Bottom Roller	1	2
08762	Top Guide	1	2
08763	Intermediate Hinge	1	2
95617	Flush Handle**	3	5
95547	Hinges (pack of 3)	2	3

* Polished brass ** Satin chrome

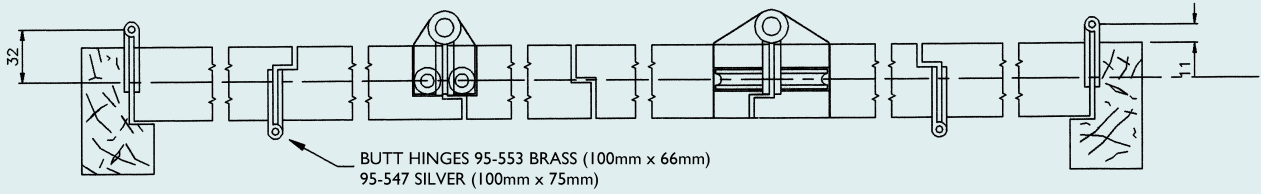
ADDITIONAL FITTINGS

To complete the installation the following will be required:

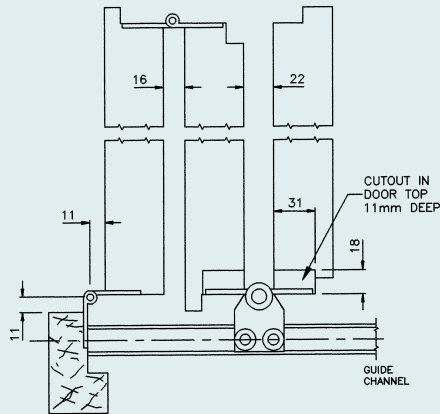
		Quantities Needed	
		3 Door	5 Door
70-3	Bottom Track (Brass)	Lengths to suit	
44-3	Top Channel (Brass)	Lengths to suit	
95-665	Holdback Catch	1	1
95-670	Flush Bolts (x2) – 190mm GAA*	2	3
95-677	Flush Bolts (x2) – 190mm SAA*	2	3

* Double quantity if required top and bottom

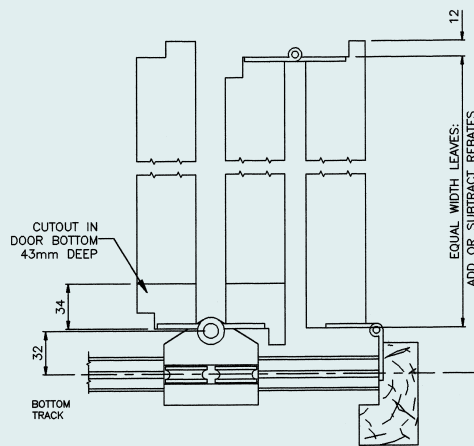




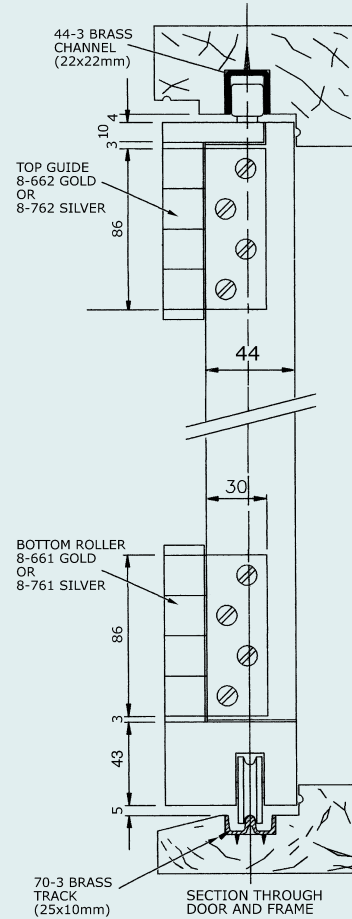
DOORS IN CLOSED POSITION



REVERSE PLAN OF 3 DOORS
LOOKING UPWARDS
TOWARDS THE GUIDE



PLAN OF 3 DOORS
LOOKING DOWN
ONTO THE ROLLER



SECTION THROUGH
DOOR AND FRAME

DOORS IN OPEN POSITION