

Coburn Supplementary Door Gears



Supplementary Fittings

Straightaway 216, 320, 325

HANGERS FOR HOLLOW TUBULAR FRAMED METAL DOORS AND STAY ROLLER BOTTOM GUIDING ARRANGEMENTS.

- ▶ Application – Specially designed door hangers for use with metal doors having a hollow tubular frame construction. Also alternative no-channel bottom guiding arrangements using floor or wall mounted stay rollers.
- ▶ Range – For use with Straightaway 216, 320 and 325 Sliding Door Systems.

Maximum capacities for doors operating on single track runs.

Track size	2-16	3-20	3-25
Max Door Weight	200kg	400kg	600kg
Max Door Height	4.0m	5.0m	6.0m

Reduced carrying capacities apply for doors operating on double parallel tracks supported by Double Side Wall Brackets types 130, 131 and 132.

- ▶ Hangers – Four wheels, all steel, ball bearing lubricated for life. Specially extended pendant bolts for use with doors using a metal hollow tubular frame construction. Vertical adjustment.

2-207-10 For use with 2-16 track and hollow tubular frame sections up to 80mm deep.

3-207-10 For use with 3-20 and 3-25 tracks. Suitable for use with hollow tubular frame sections up to 90mm deep.

- ▶ Stay Roller – An alternative method of bottom guiding without the need of floor channel.

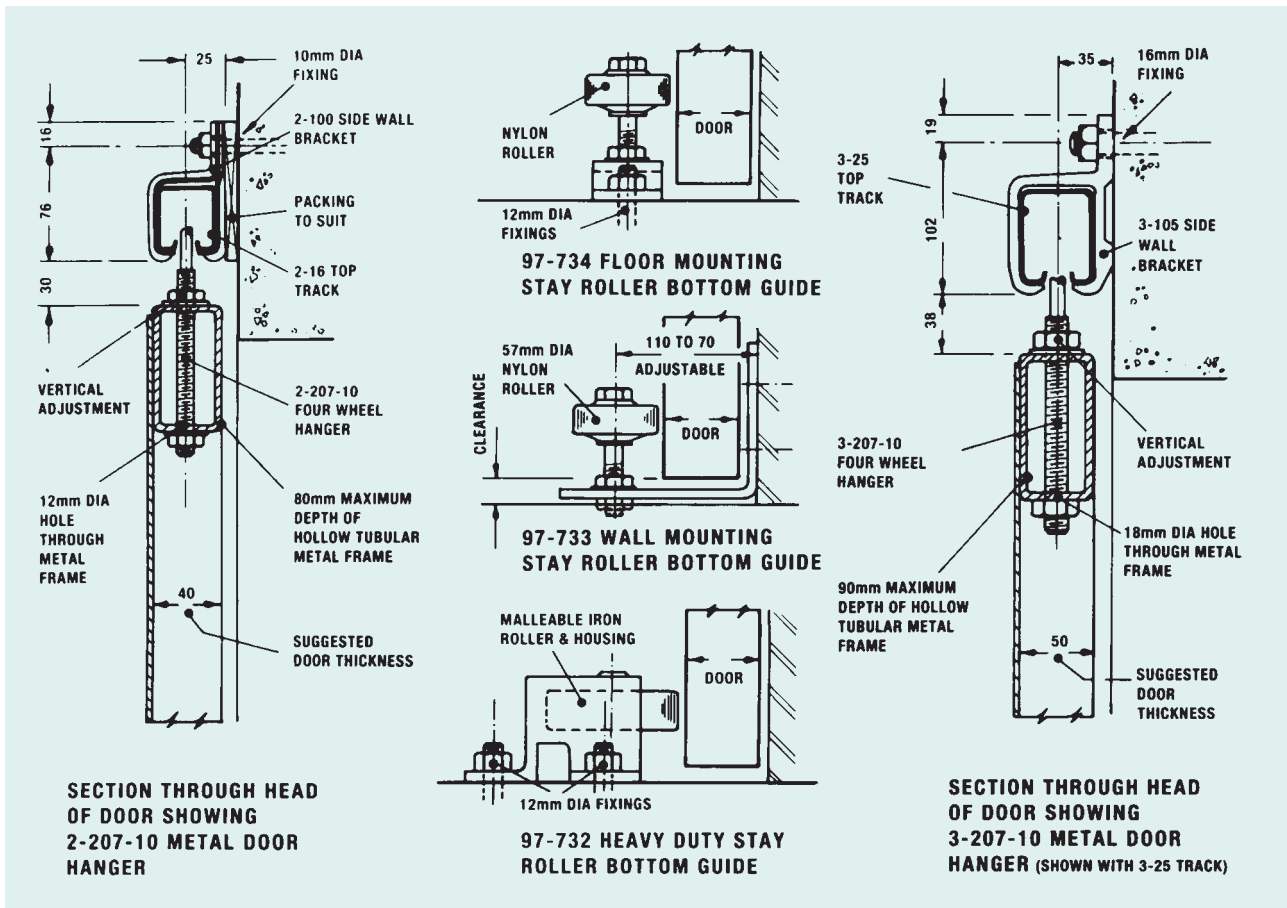
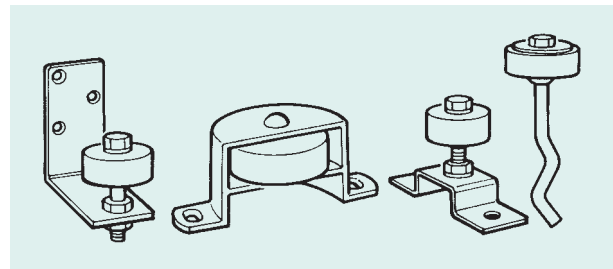
97-730 Single spindle mounting for setting into concrete, solid soft rubber wheel.

97-732 Heavy duty malleable iron casting and machined wheel, floor mounted.

97-733 Wall mounting, black nylon wheel

97-734 Floor mounting, black nylon wheel

97-735 Single spindle mounting for setting into concrete. Black nylon wheel.



Sliding Systems

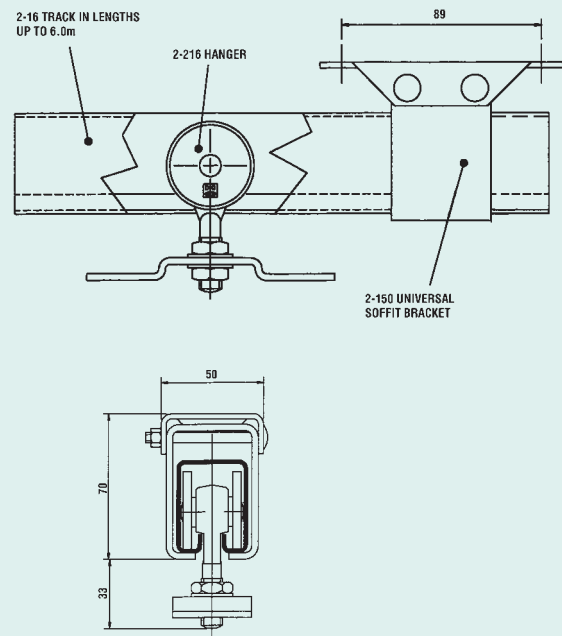
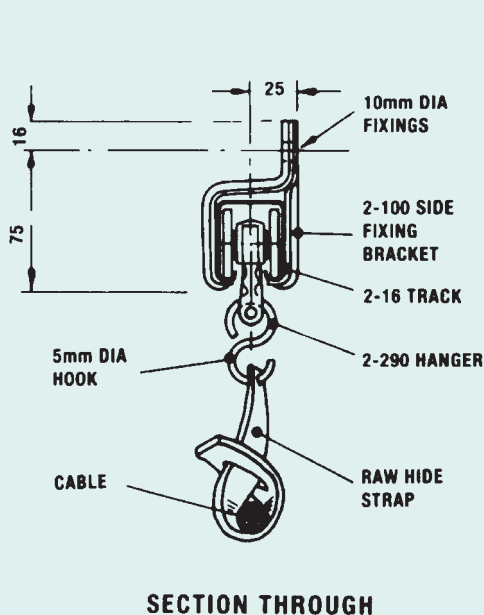
for Cable Carrying & Strip Curtains

CABLE CARRYING EQUIPMENT

- ▶ Application – An overhead track system for supporting trailing electric or other cables that need to follow moving machinery such as travelling cranes, gantries etc.
- ▶ Range – Two wheel trolley for round cables, maximum carrying capacity per trolley 25kg.
- ▶ Track – 2-16 (1.6mm) Steel galvanised to BS EN 10142. Lengths 1.8m to 6.0m.
- ▶ Brackets – Side wall or soffit fixing is normal.
- ▶ Hangers – 2-290 Two steel wheels, nylon body, ball bearing lubricated for life. Forged steel hook and rawhide strap.

STRIP CURTAIN HANGER

- ▶ Application – An overhead track hanger arrangement for use with PVC strip curtain systems manufactured by others.
- ▶ Range – Two-wheel trolley, maximum carrying capacity per hanger 25kg.
- ▶ Track – 2-16 (1.6mm) Steel galvanised to BS EN 10142. Lengths 1.8 to 6.0m.
- ▶ Brackets – Sidewall or soffit fixing is normal.
- ▶ Hangers – 2-216 Two steel wheels, ball bearing lubricated for life.



Series 100

– Two wheel hanger systems

FOR CABLES, CURTAINS, TARPAULINS, SPORTS HALL NETS

- ▶ Application – An overhead track system for supporting trailing cables, industrial curtains, tarpaulins, sport hail nets etc.
- ▶ Range – Maximum carrying capacity per hanger 15kg. Allow for hangers at centres not exceeding 375mm when tarpaulins and curtains are closed. Buffers on hangers prevent over-riding when bunched.
- ▶ Brackets – 1-105 Extruded aluminium open sidefixing brackets fitted at centres not exceeding 900mm. Use 1-007 closed end piece to convert 1-105 open brackets to any hand of closed end. A bracket with closed end piece must be fitted at the end of each track run and an open bracket positioned over each track joint. Extra brackets needed where tarpaulins are bunched. Alternative 1-100 angle sidefixing brackets fitted at pre-drilled centres, not recommended when track lengths are joined or with track curves.

- ▶ Track – 1-12 (1.2mm) Galvanised steel to BS EN 10142. Drilled for angle brackets or soffit fixing. Lengths 1.5 to 6.0m Track curves 600mm radius.

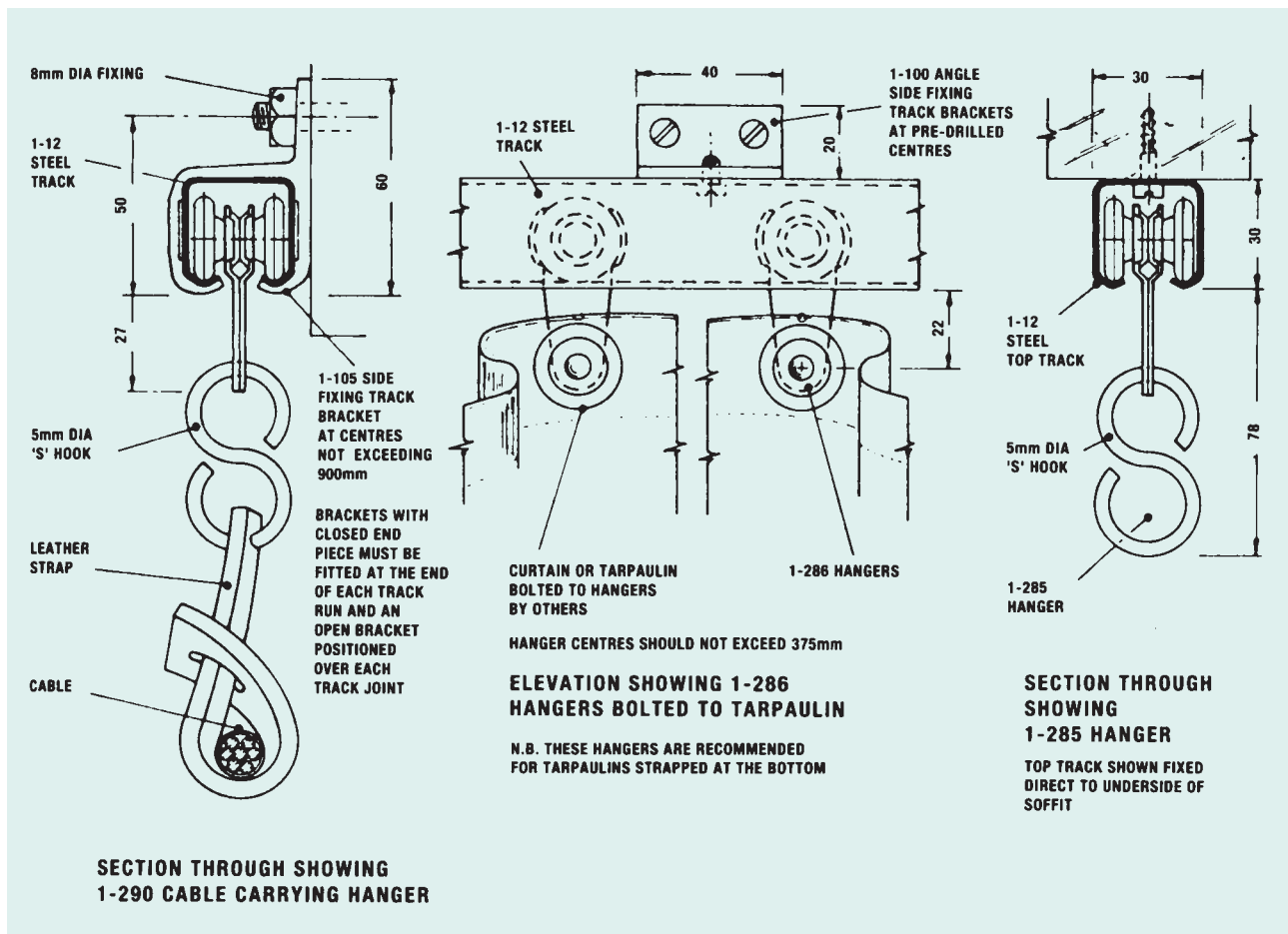
- ▶ Hangers – Steel construction, 2 nylon wheels, ball bearings lubricated for life. Forged steel hook and leather strap.

1-285 Hanger with 5mm diameter forged steel hook.

1-286 Hanger for bolting direct to curtains or tarpaulins.

1-290 Hanger with forged steel hook and leather strap for cable carrying.

- ▶ Finishes – Top track galvanised. Hangers and angle track brackets zinc plated.



Sliding Systems

for Industrial Curtains & Tarpaulins

OVERHEAD TRACK FOR SUPPORTING HEAVY CURTAINS AND TARPULINS

► Application – Overhead operating gear for heavy curtains and tarpaulins used on commercial vehicles, railway wagons and for industrial and commercial use.

► Range Track	2-16	3-20
Carrying capacity per hanger	25kg	30kg

Allow for hangers at approximately 450mm maximum centres when tarpaulins are closed.

Provision made for operating cable to pass through hangers just below track. Buffers on hangers prevent over-riding when bunched.

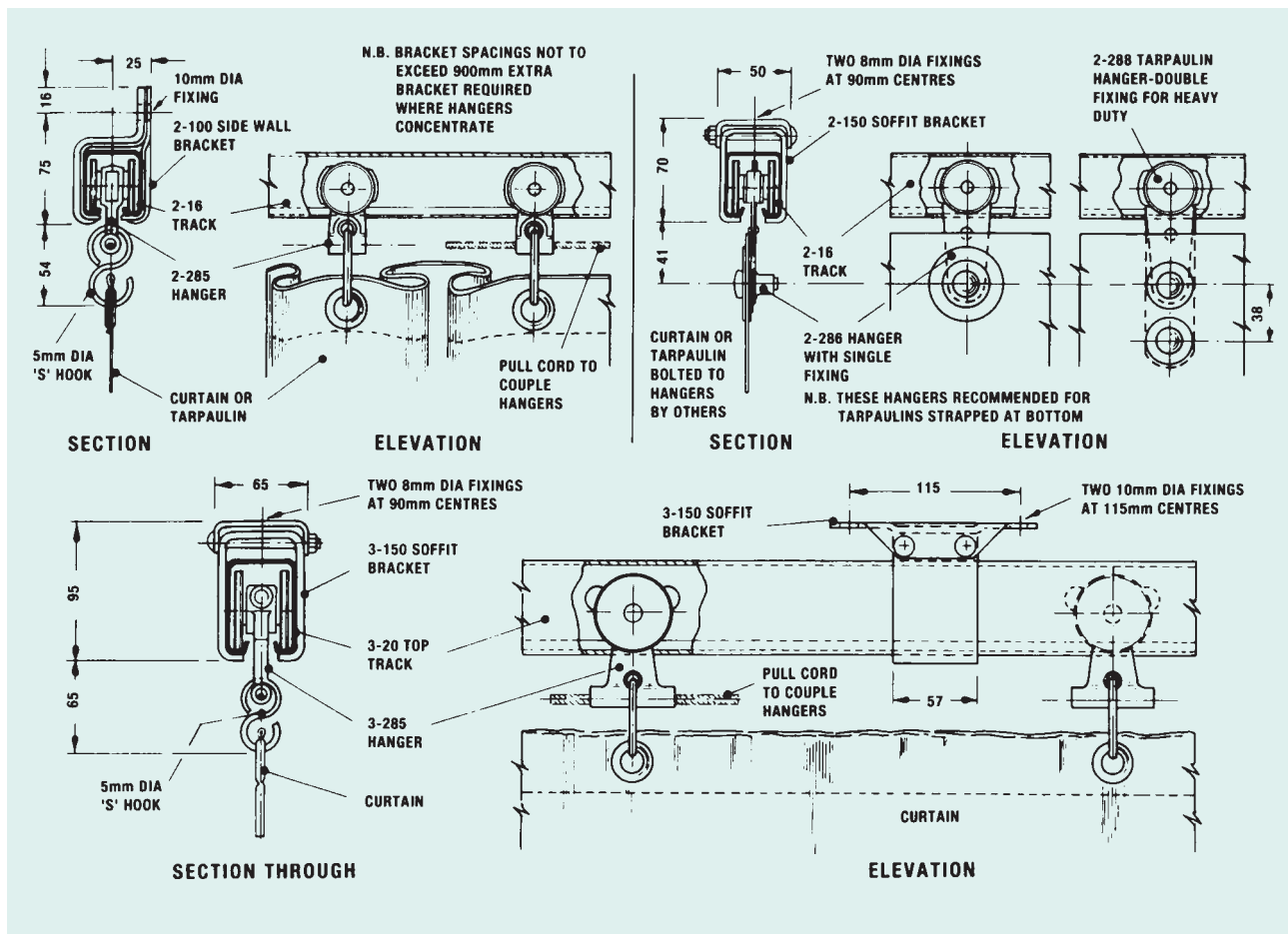
► Fixing – Side or soffit fixing is usually standard. Bracket spacings not to exceed 900mm. Extra brackets needed where tarpaulins are bunched.

► Track – 2-16 (1.6mm) or 3-20 (2.0mm). Galvanised steel to BS EN 10142. Lengths 1.8m to 6.0m.

► Brackets – All steel. Side wall or soffit fixing are normal. Fixing bolts not supplied

► Hangers – 2-285 Two steel wheels, nylon body, ball bearing lubricated for life, forged steel hook.
 3-285 Two steel wheels, malleable body with rubber buffers, ball bearing lubricated for life, forged steel hook.
 2-286 Two steel wheels, steel body, ball bearing lubricated for life.
 2-288 Two steel wheels, steel body, ball bearing lubricated for life.

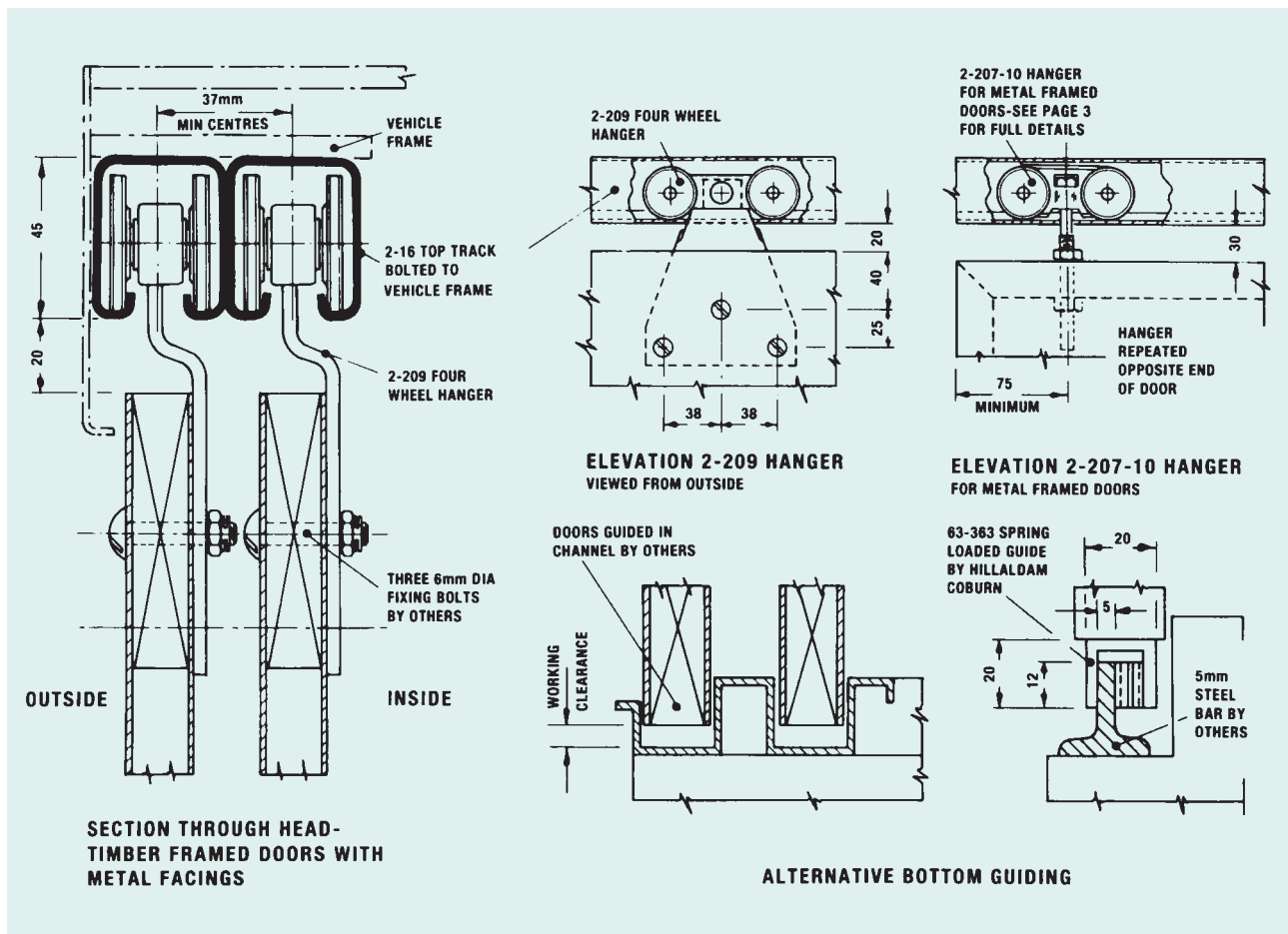
► Finish – Track galvanised, brackets and hangers plated.



Sliding Systems for Vehicle Doors

STRAIGHT SLIDING DOOR GEAR ADAPTED FOR COMMERCIAL VEHICLE BODIES

- ▶ Application – Straight sliding door gear for commercial vehicles with side loading doors enabling access to all parts of pay load area.
- ▶ Range – Maximum door weight 125kg (timber doors) 200kg (metal doors).
- ▶ Door Construction – Hangers made for 20mm thick timber and aluminium sandwich construction and for hollow tubular metal frame or angle frame construction.
- ▶ Fixing – Top track usually bolted or welded direct to soffit of vehicle structure. Brackets may be used where extra support is needed. Guiding at vehicle floor level usually by coachbuilder.
- ▶ Track – 2-16 (1.6mm) Steel galvanised to BS EN 10142. Lengths 1.8m to 6.0m.
- ▶ Brackets – Available if required.
- ▶ Hangers – All steel, ball bearings, lubricated for life. 2-209 for timber and aluminium sandwich doors weighing up to 125kg. 2-207 for metal angle frame doors. 2-207-10 for metal hollow tubular framed doors, see page 2 for details.
- ▶ Bottom Guides – Leaf spring in brass channel section 20mm x 20mm x 100mm to suit 5mm thick guide rail.
- ▶ Finish – Track galvanised, hangers plated.
- ▶ Bolts and Screws – Not supplied
- ▶ Locking and Security – By coachbuilder.



Hillaldam Coburn has a history of commitment to quality and technical developments. Products are always produced to the appropriate British Standards and the company was one of the first in the industry to have operating procedures approved under BS EN ISO 9001.

Constant testing ensures that quality is maintained and a programme of product improvement is regularly reviewed and updated. The company is an active member of the Association of Builders' Hardware Manufacturers. Today Hillaldam Coburn is proud to remain in the forefront of the industry as we take a leading role in working with the British Standards Institute to develop the new European standards (CEN). The following range of literature is available on request:

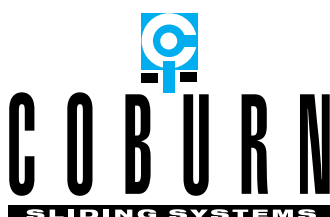
SLIDING DOOR GEAR

- Glassmaster 100
- Straightaway Door Gear
- Foldaside & Cornaway
- Interior Sliding Systems
- Centafold & Foldaside
- The Buyers Guide
- Supplementary Door Gears
- HIDEAWAY™ Pocket Door Kit

OTHER COBURN PRODUCTS

- Automatic Operators
- Movable Walls & Partitions
- GLIDEMASTER™ Sliding Closures

Hillaldam Coburn Ltd. also offers an extensive range of Acoustic products for walls and floors through its subsidiary, Trim Acoustics. Comprehensive literature is available on request.



INVESTOR IN PEOPLE



Certificate No. FS 14679

The products designed and supplied by Hillaldam Coburn Ltd are covered by a Quality Assurance system in accordance with BS EN ISO 9001: 2000

HILLALDAM COBURN LIMITED

HEAD OFFICE

Unit 6, Wyvern Estate,
Beverly Way, New Malden,
Surrey, KT3 4PH, England.

Telephone: 020 8336 1515

International: +44 20 8336 1515

Facsimile: 020 8336 1414

Sales Freefax: 0800 616623

e-mail: sales@hillaldam.co.uk

Web: www.coburn.co.uk

SCOTLAND

Unit 25 Baillieston Distribution Centre,
Glasgow, G69 6UL, Scotland.

Telephone: 0141 771 6165

Facsimile: 0141 773 1693

Sales Freefax: 0800 318904

The company reserves the right from time to time to make such alterations in design and manufacture as they consider necessary without notice. Drawings, specifications, illustrations, tables and other details are not binding in detail. Conditions of sale are as those published on the Company's tender forms.