

Straightaway 100 Door Gear



Straightaway 100 Sliding Door Gear

FOR INTERIOR AND EXTERIOR STRAIGHT SLIDING DOORS WEIGHING UP TO 100KG.

APPLICATION

Top hung straight sliding doors for domestic, schools, hospitals and light agricultural, industrial and commercial applications.

RANGE

Maximum door weight	100kg (220 lb)
Maximum door height	2.5m
Door thickness	20 to 50mm

DOOR CONSTRUCTION

Normal timber framed construction, flush panelled, glazed or framed, ledged and braced. Adequate top rail required to provide secure fixing of hanger. Minimum door thickness 30mm when using floor guide channel. Metal doors of light angle or channel frame construction, minimum thickness 40mm.

TRACK

1-12 (1.2mm) Galvanised steel to BS EN 10142. Drilled for brackets or soffit fixing. Lengths 1.5m to 6.0m. Extruded aluminium track available as an option.

TRACK BRACKETS

1-100 Steel, side fixing with two screws. Alternatively 1-105 Extruded aluminium, open side fixing bracket. 1-007 closed end piece to convert 1-105 open bracket to any hand of closed end.

HANGERS

1-203 For timber or metal doors. Steel construction, 4 nylon wheels, ball bearings lubricated for life. Vertical and lateral adjustment.

DOOR GUIDE

97-780 Pressed steel and nylon construction. Suitable for doors up to 1.5m wide, 30 to 45mm thick. Alternative guides shown below.

TRACK END PIECE

1-719 Track end piece with holdback catch. Independent door stops should be fitted at mid-height of door (see opposite page).

FURNITURE

A range of door furniture is available.

FINISHES

Top track galvanised. Hangers, Steel brackets and door stops zinc plated. Furniture usually plated.

STANDARD PACKSETS

SINGLE DOOR COMPONENT PACK 100-010

Comprising; 1 pair 1-203 nylon wheel hangers, 2 only 1-719 track door stops. 97-780 No channel door guide, spanner, installation details and all screws.

TOP TRACK

Available in the following standard lengths:

1-12-15 length 1.5m	1-12-24 length 2.4m
1-12-18 length 1.8m	1-12-30 length 3.0m
1-12-21 length 2.1m	See price list for longer lengths.

SIDE FIXING TRACK BRACKET PACKS

1-005 comprising 5 brackets with fixing screws for track lengths 1.5m, 1.8m or 2.1m.

1-008 comprising 8 brackets with fixing screws for track lengths 2.4m or 3.0m.

ALTERNATIVE BOTTOM GUIDING FOR STRAIGHT SLIDING DOORS

INTERIOR TIMBER DOORS

FOR DOORS UP TO 1500mm WIDE

44-2 Aluminium channel housed in underside of door with 44-371 polypropylene guide fitted at corner of opening leaving clear threshold.

FOR DOORS OVER 1500mm WIDE

2 only 41-346 nylon blade door guides fitted to each door, in conjunction with 41-2 aluminium floor channel, drilled and c/sk for woodscrew fixing.

EXTERIOR DOORS

TIMBER DOOR GUIDES 44-310 Malleable iron for 30mm to 50mm doors, in conjunction with 44-1 floor channel.

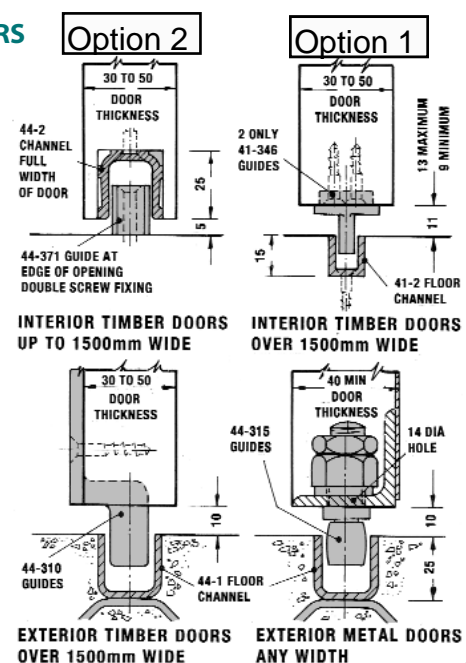
METAL DOOR GUIDES 44-315 Brass roller with zinc plated steel spindle, in conjunction with 44-1 floor channel.

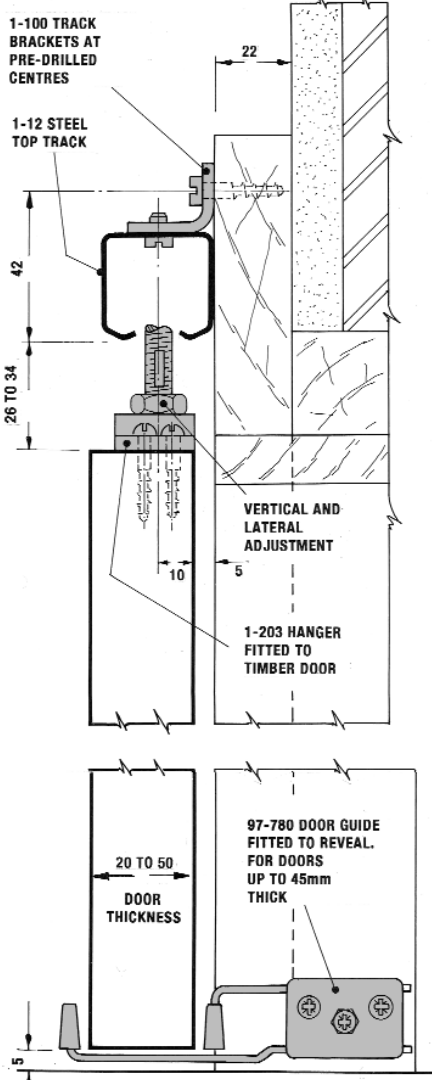
FLOOR CHANNEL 44-1 steel, lugged for concrete, with shoes for joints.

44-2 aluminium, drilled and c/sk for woodscrew fixing, Lengths 1.5m to 3.0m.

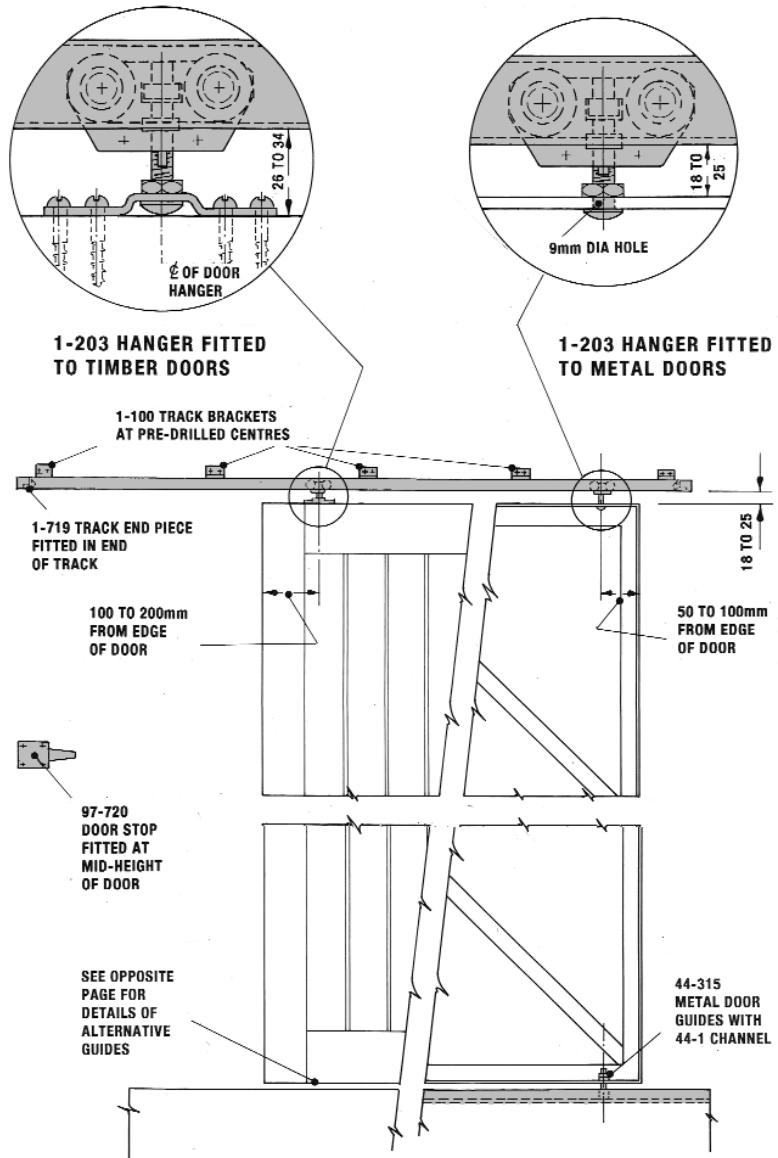
PERFORMANCE

All Straightaway 100 sliding door gear fittings have been tested for endurance and strength. Each type of 4 wheel hanger together with its associated fittings has been loaded to the maximum stated capacities and tested over 100,000 cycles without failure.

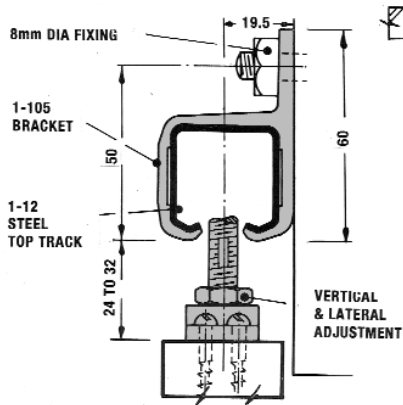




SECTION THROUGH OPENING



ELEVATION OF TIMBER AND METAL DOORS



ALTERNATIVE TOP TRACK BRACKETS NOT SUITABLE FOR USE WITH 1-22 ALUMINIUM TRACK

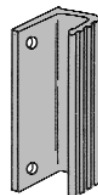


PLAN OF DOORS



WALL MOUNTING EXTRUDED ALUMINIUM WITH BLACK RUBBER BUFFER

97-720 DOOR STOP



EXTRUDED ALUMINIUM SIZE 80 x 20mm

95-622 DOOR PULL



PRESSED ALUMINIUM SIZE 44 x 102mm ANODISED FINISH

95-620 FLUSH PULL