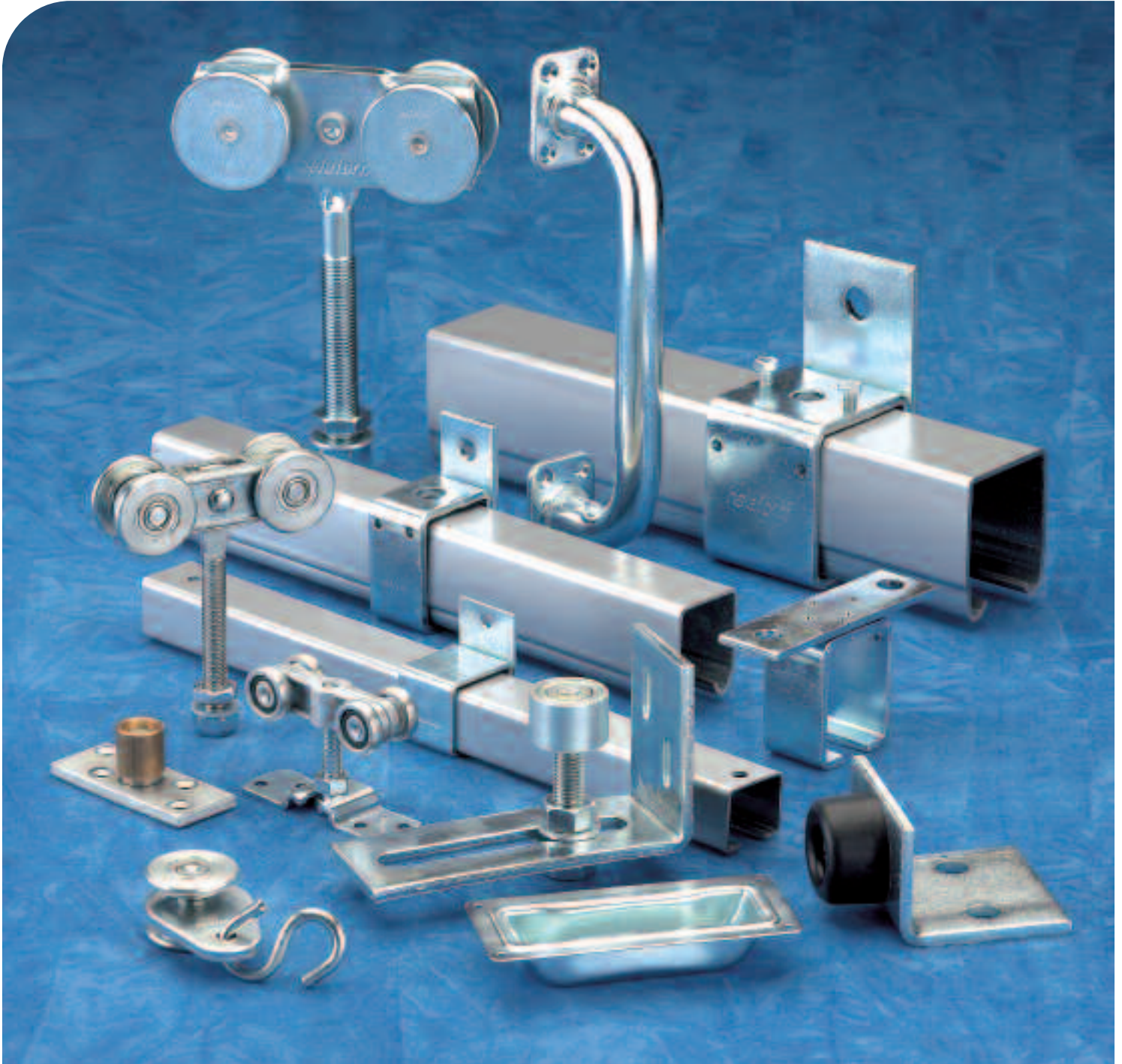


architectural
commercial
industrial

Uniclass	EPIC
L418	D18
CI/SfB	
(31.59)	X

sliding door hardware

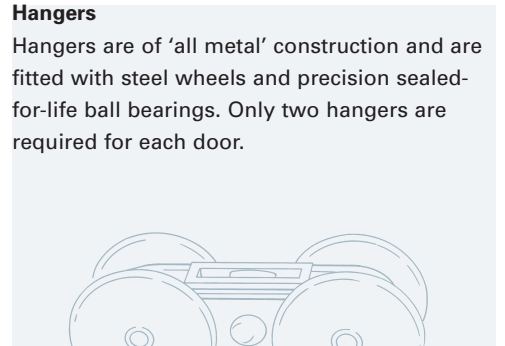
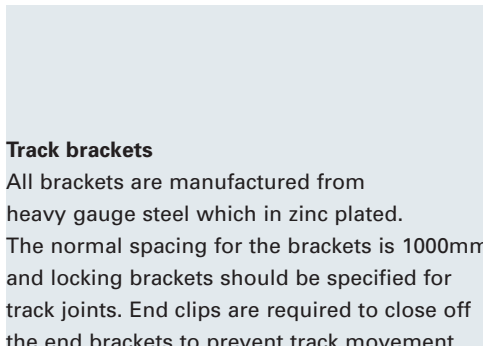
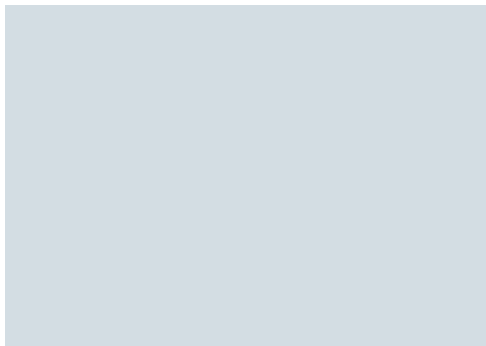
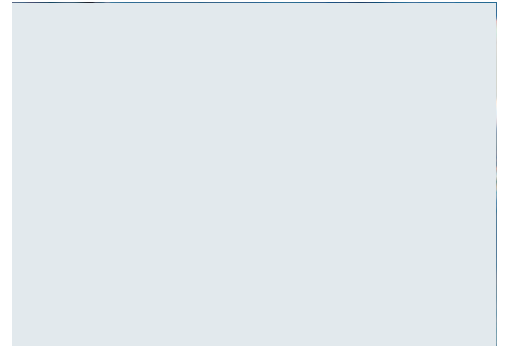
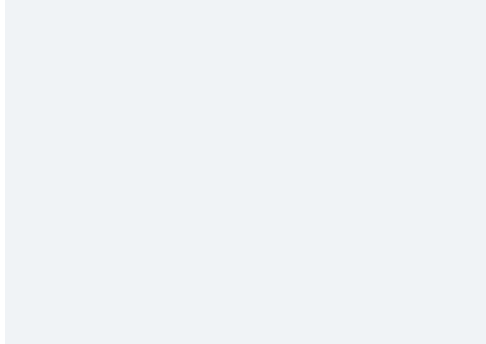
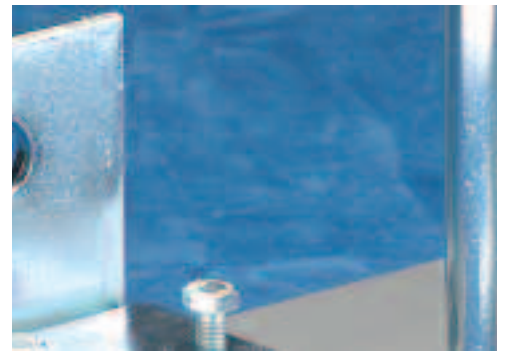


The systems shown in this catalogue are manufactured by Helaform Oy of Finland and are designed for top hung straight sliding doors.



Tracks

All tracks are cold rolled from galvanised Finnish steel. The stock lengths are 3000mm and 2000mm but other lengths are available to special order subject to quantity and manufacturing schedules.

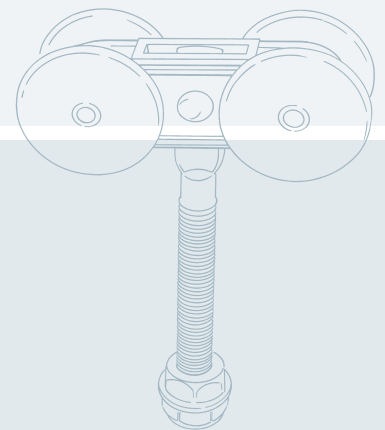


Track brackets

All brackets are manufactured from heavy gauge steel which is zinc plated. The normal spacing for the brackets is 1000mm and locking brackets should be specified for track joints. End clips are required to close off the end brackets to prevent track movement.

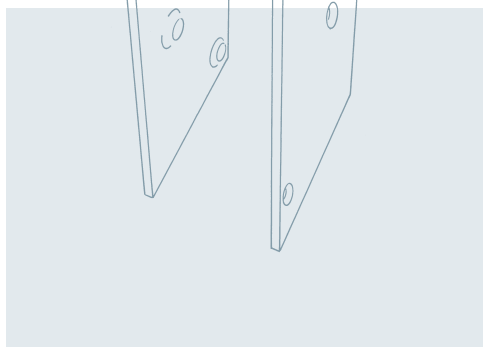
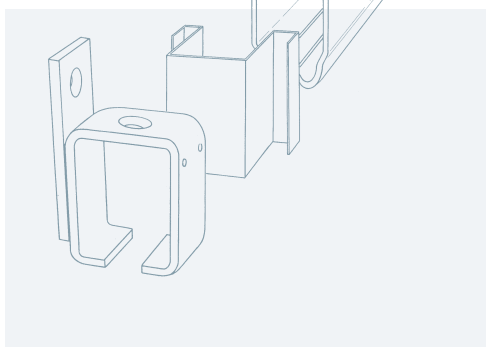
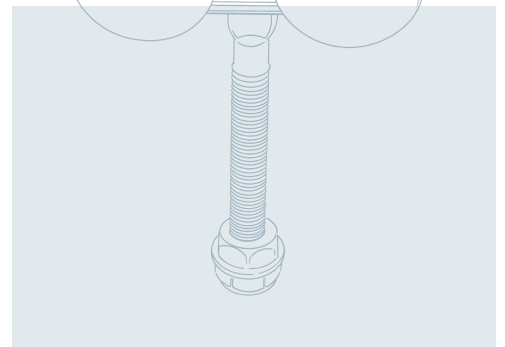
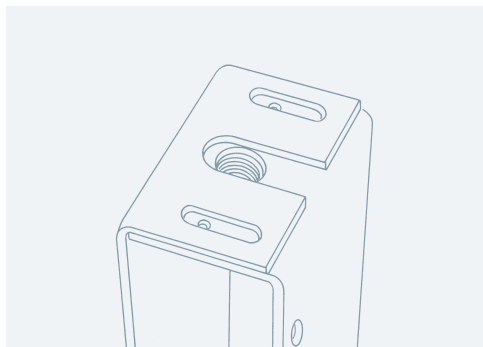
Hangers

Hangers are of 'all metal' construction and are fitted with steel wheels and precision sealed-for-life ball bearings. Only two hangers are required for each door.



Guide systems

A suitable bottom guide system must be used to ensure the correct operation of the door and for safety purposes. We offer a full range of systems as detailed on pages 8 and 9.

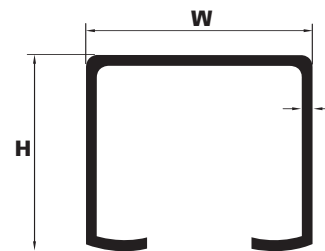


Accessories

We recommend the fitting of purpose designed door stops and handles. Please refer to page 10.

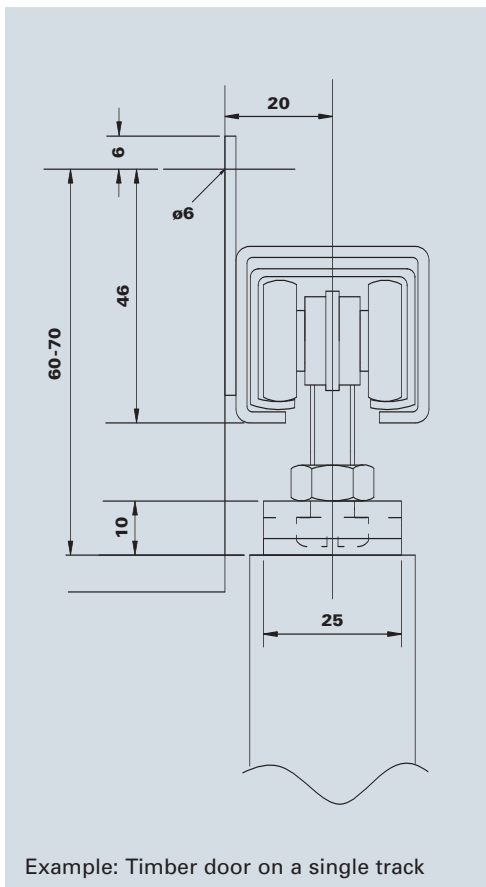
Series K075

Maximum door weight	75 kg
Maximum door width	1500 mm
Maximum internal door height	3000 mm
Maximum external door height	2500 mm

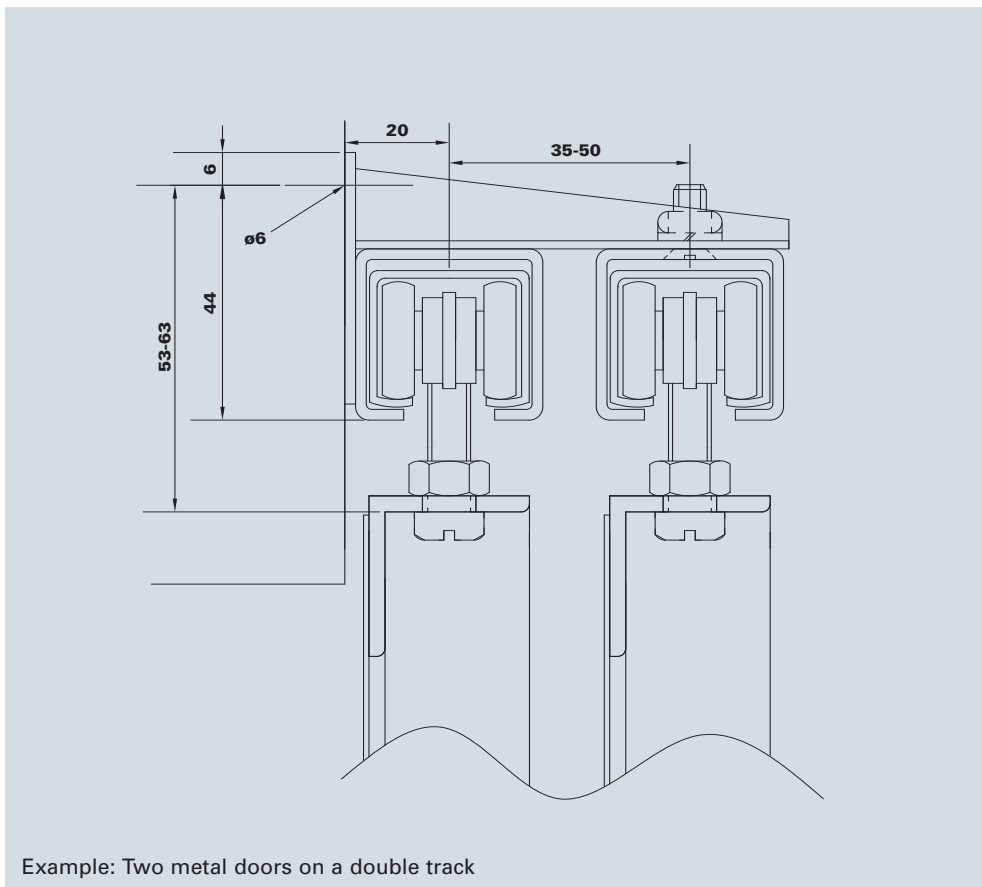


Designed for small domestic and commercial doors, warehouse security cage doors etc. Also suitable for full height cupboards in which case the track (pre-drilled) can be screwed directly to the head.

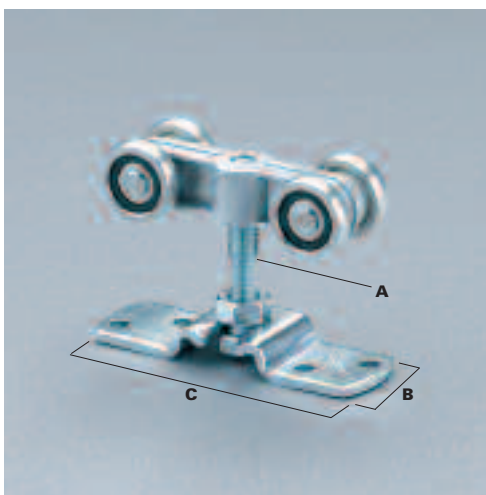
K075 H 27mm W 30mm ± 1.5mm



Example: Timber door on a single track



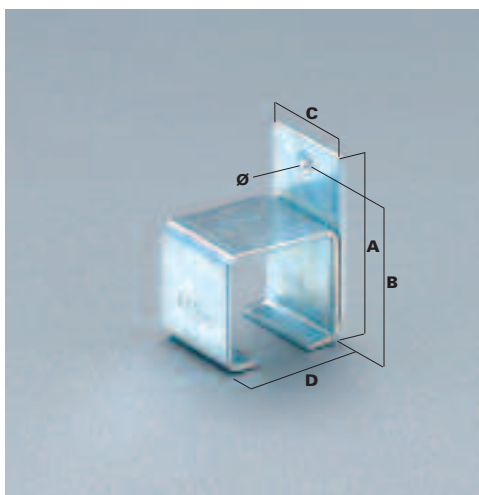
Example: Two metal doors on a double track



HANGER PP - 075

Suitable for metal and timber doors

A M8 x 40mm B 25mm C 80mm

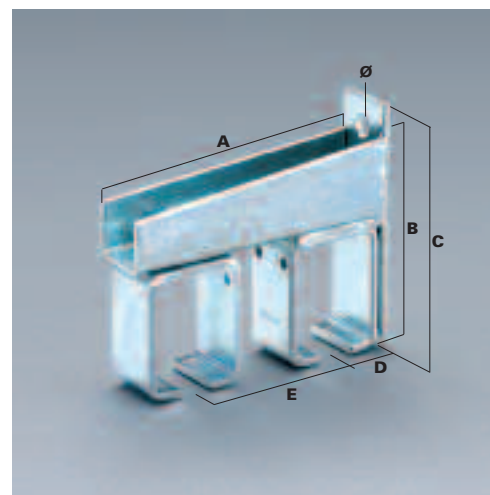


BRACKET SKU - 075

Face fix

Note: End clip PK-075 not illustrated

A 52mm B 46mm C 30mm
D 36mm ø 6mm

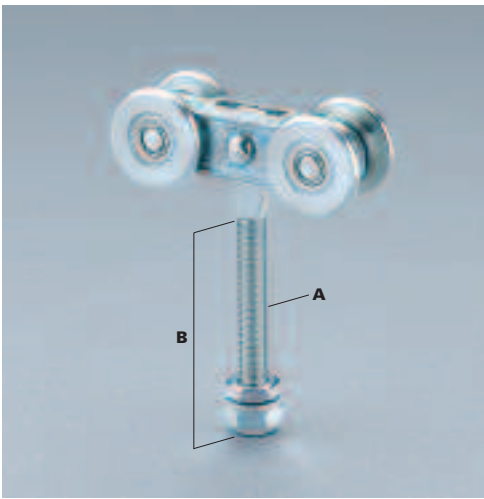


BRACKET SK / 2 - 075

Double face fix - adjustable

Note: End clip PK - 075 not illustrated

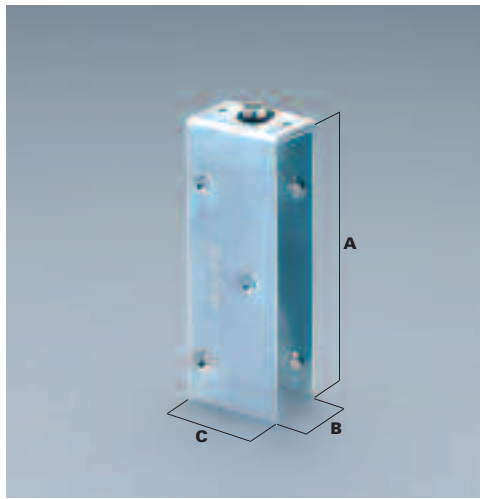
A 83mm B 44mm C 50mm
D 20mm E 35-50mm ø 6mm



HANGER MP - 150

For use on metal doors

A M10 B 70mm



TIMBER DOOR PLATE PPS 150

Adjustable to suit varying door thicknesses

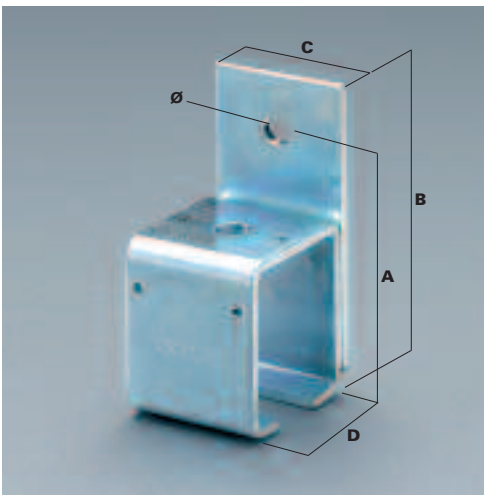
A 152mm B 30 - 42mm C 57mm



CURTAIN HANGER VP / 2 - 150

Maximum loading 50kg
Removable 'S' hook

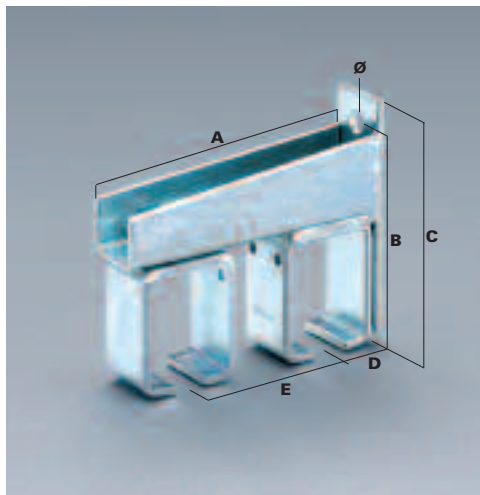
Ø 7mm



BRACKET SK151

Face fix

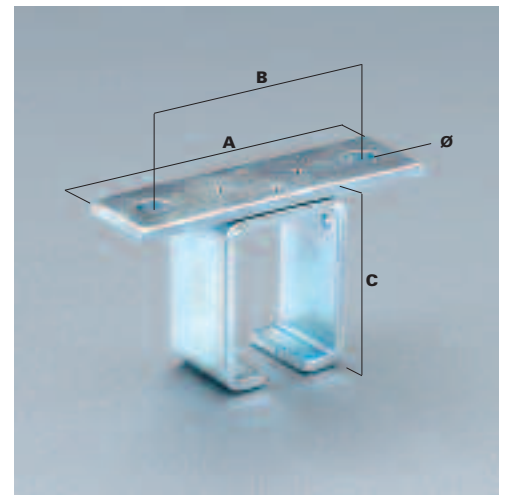
A 68mm B 82mm C 30mm
D 49mm Ø 10.5mm



BRACKET SK152

Double face fix - adjustable

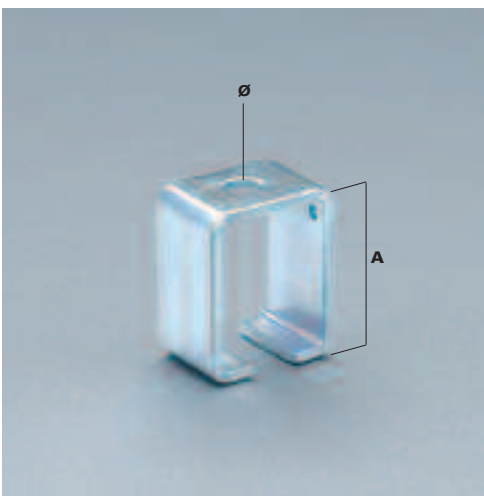
A 120mm B 95mm C 108mm
D 27mm E 55 - 75mm Ø 10.5mm



BRACKET KKK151

Soffit fix

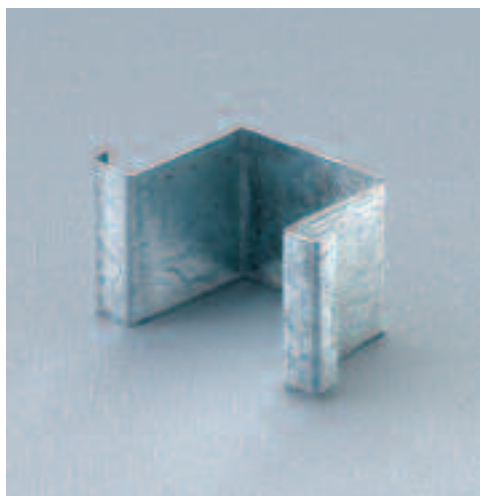
A 100mm B 75mm C 60mm
Ø 10.5mm



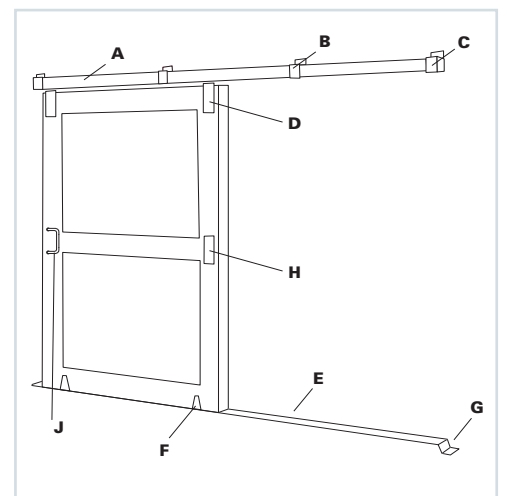
BRACKET BODY KK151

Fixing by slotted countersunk M10 bolt
or woodscrew (not supplied)

A 56mm Ø 10.5mm



END CLIP PK151



HARDWARE FOR A TIMBER DOOR

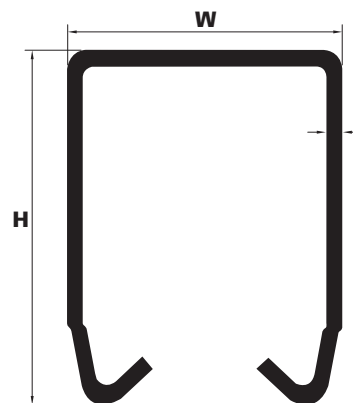
A Track B Brackets C End clips
D Hangers with plates E Guide channel
F Guides G Stop H Flush pull J D handle

Series K150

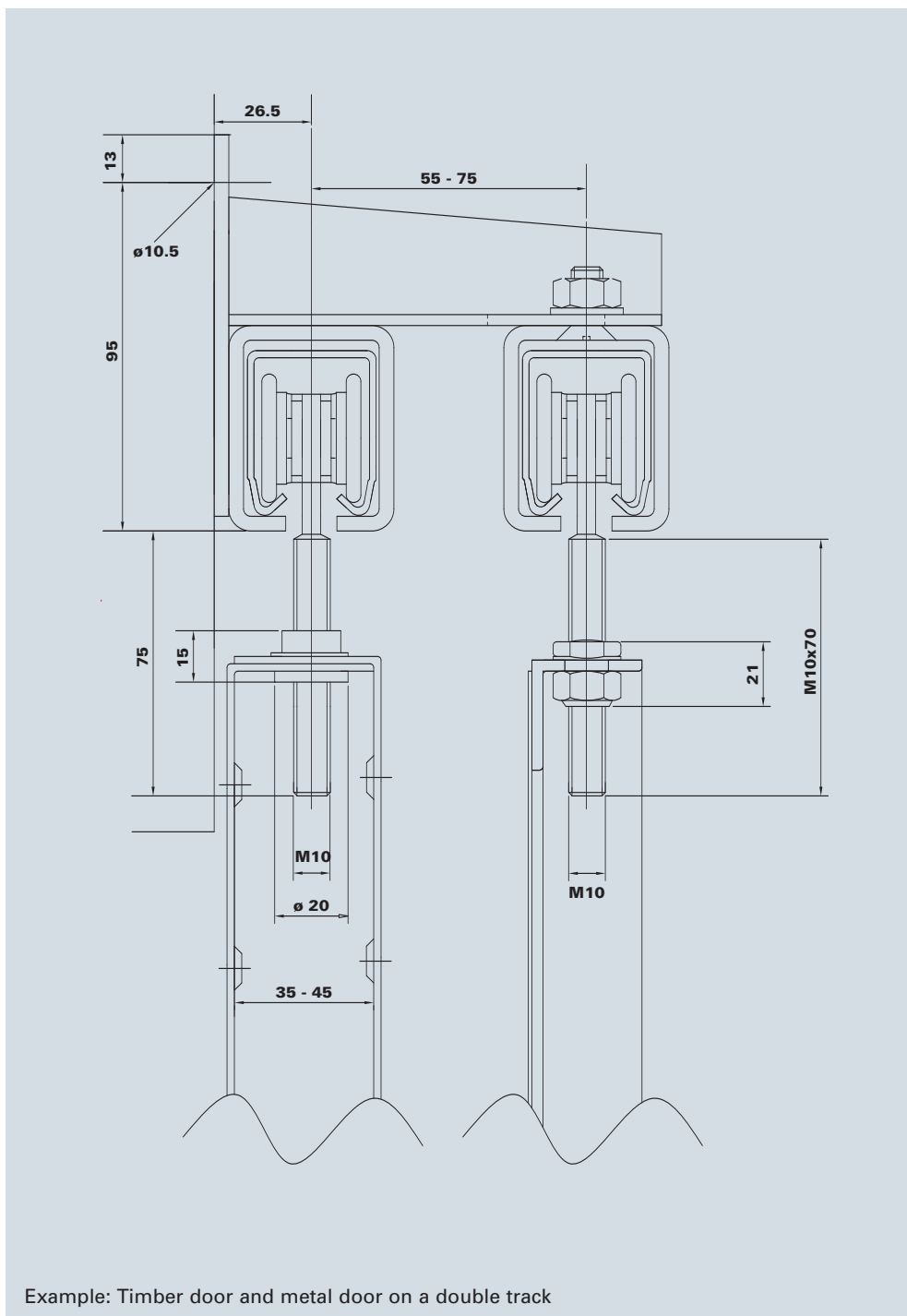
Maximum door weight	150kg
Maximum door width	3000mm
Maximum internal door height	4000mm
Maximum external door height	3000mm

Designed for medium size industrial and commercial doors.
A special hanger is also available for industrial curtains.

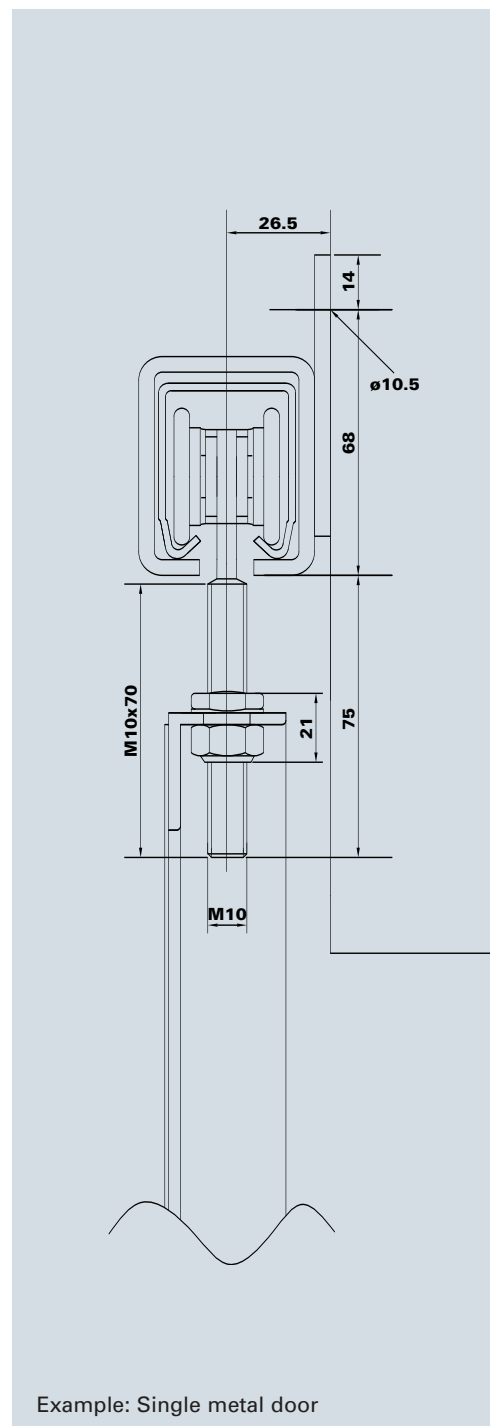
Track joints are formed simply by butting the track ends together within a bracket which has locking bolts. Please specify the following jointing brackets: SKL151, SKL152, KKKL151, KKL151



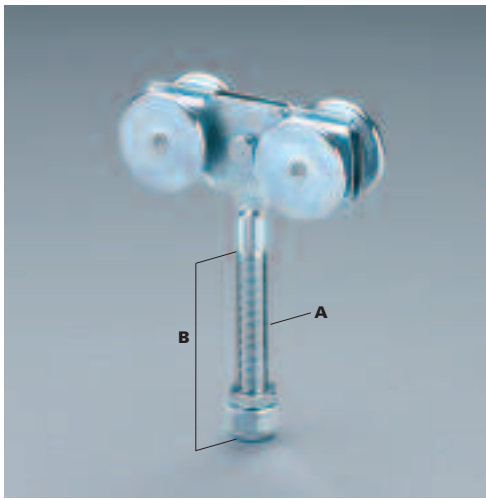
K150 H 47mm W 36mm ± 2mm



Example: Timber door and metal door on a double track



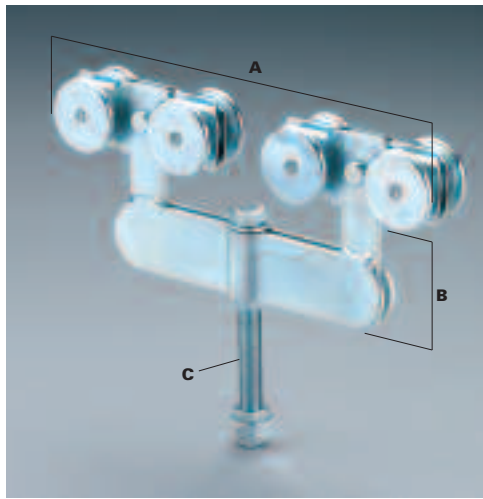
Example: Single metal door



HANGER MP300 – 500

For use on metal doors

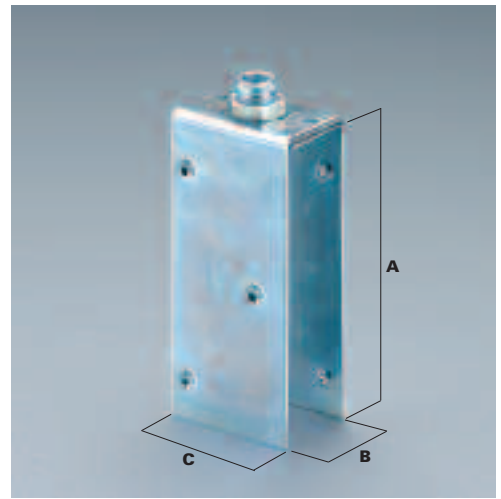
A M16 B 100mm



HANGER MPT – 600

For use on metal doors only

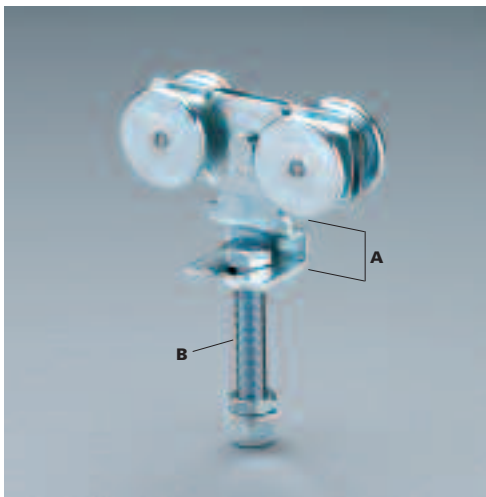
A 328mm B 78mm C M16x 150mm



TIMBER DOOR PLATE PPS300 – 500

Adjustable to suit varying door thicknesses

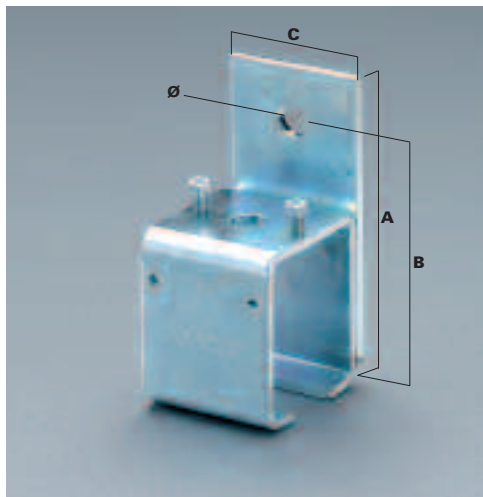
A 170mm B 44-58mm C 75mm



HANGER MPS300 – 500H

For steel fire doors (bearings to withstand temperatures up to 300°)

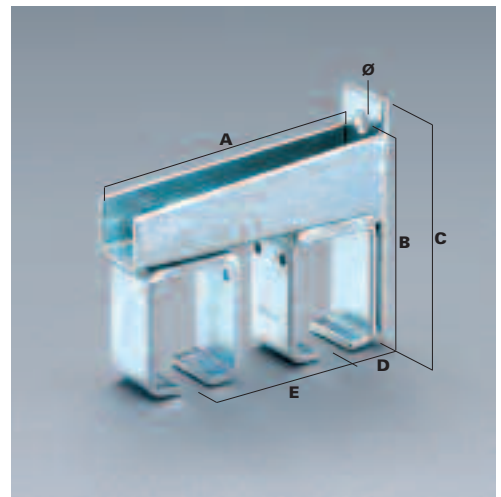
A 40mm B M16 x 100mm



BRACKET SK301 / 501

Face fix. Note: Locking Bracket type SKL301 / 501 illustrated

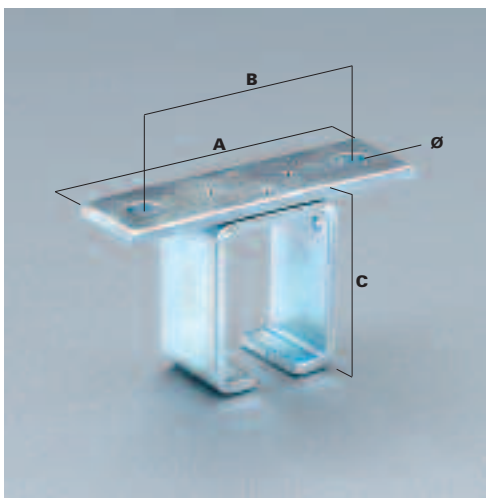
A 130mm B 108mm C 60mm
D 71mm Ø 14.3mm



BRACKET SK302 / 502

Double face fix - adjustable

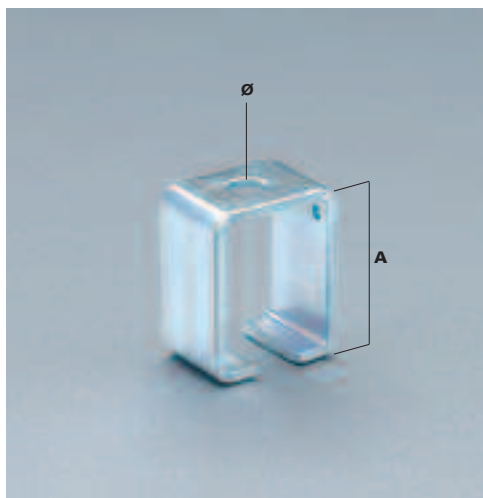
A 190mm B 106mm C 130mm
D 38mm E 80-120mm Ø 14.3mm



BRACKET KKK 301 / 501

Soffit fix

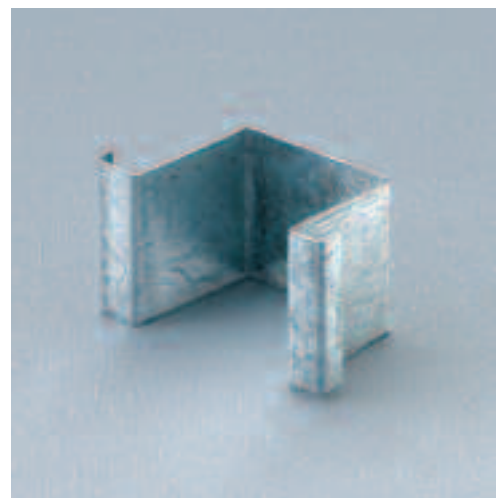
A 165mm B 120mm C 81mm
Ø 14.3mm



BRACKET BODY KK301 / 501

Fixing by slotted countersunk M12 Bolt (not supplied)

A 76mm Ø 13mm



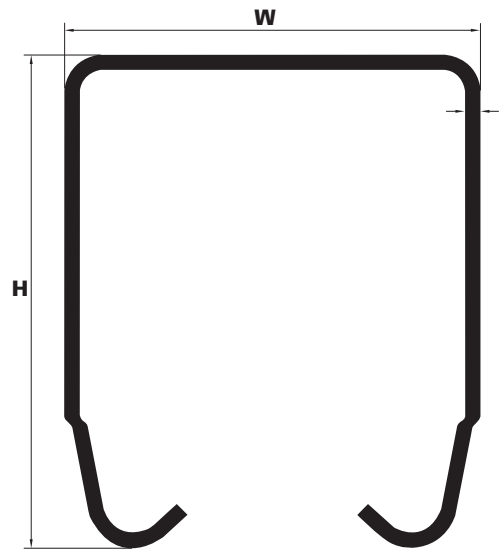
END CLIP PK300 / 500

Series K300 / K500

Track K300	Maximum door weight	300kg
	Maximum door width	4000mm
	Maximum internal door height	6000mm
	Maximum external door height	5000mm

Track K500	Maximum door weight	500kg
	Maximum door width	5000mm
	Maximum internal door height	6000mm
	Maximum external door height	5000mm

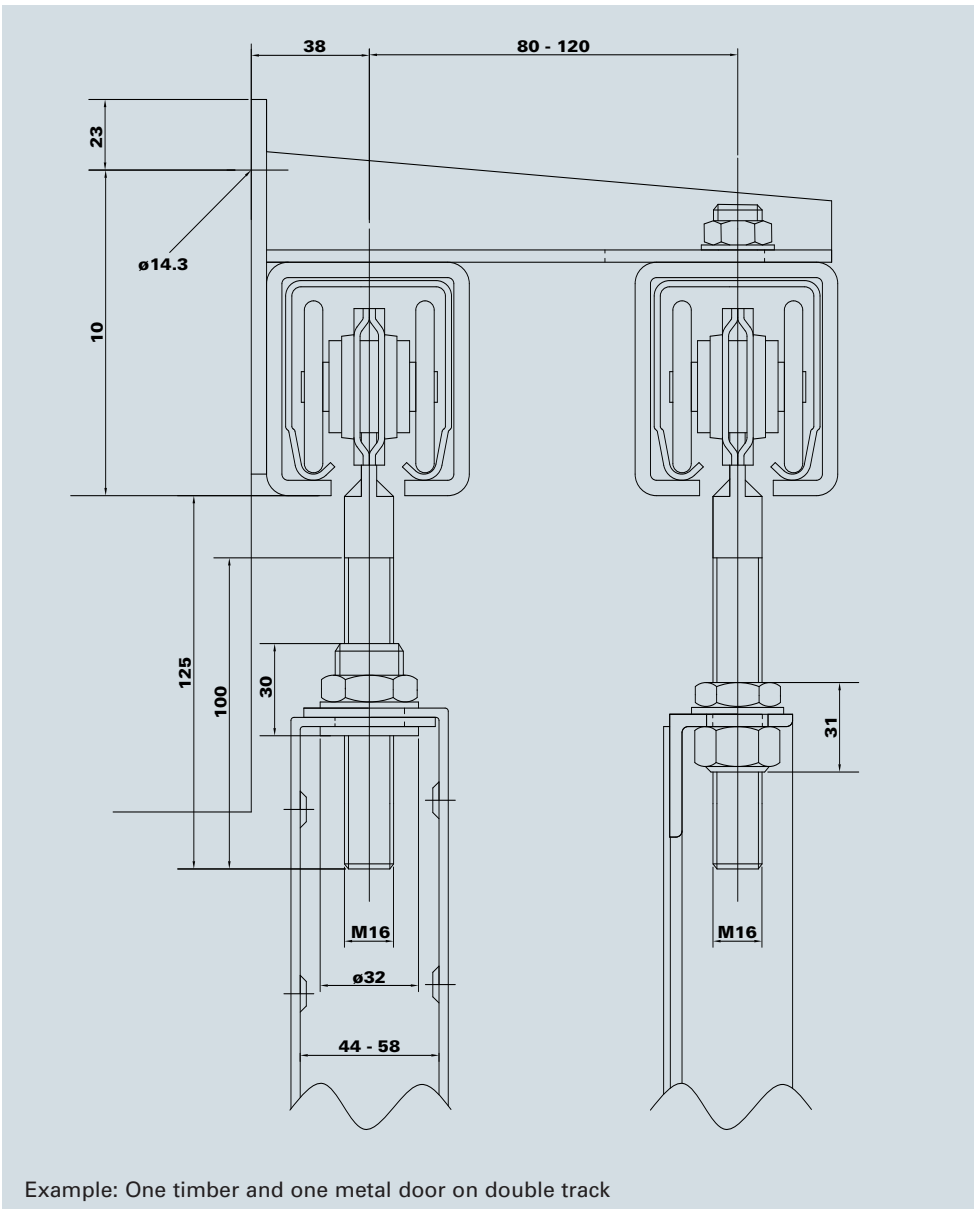
Note: Maximum door weight for track K500 can be increased to 1200kg by fitting brackets at 500mm centres and hangers MPT-600 (single track only).



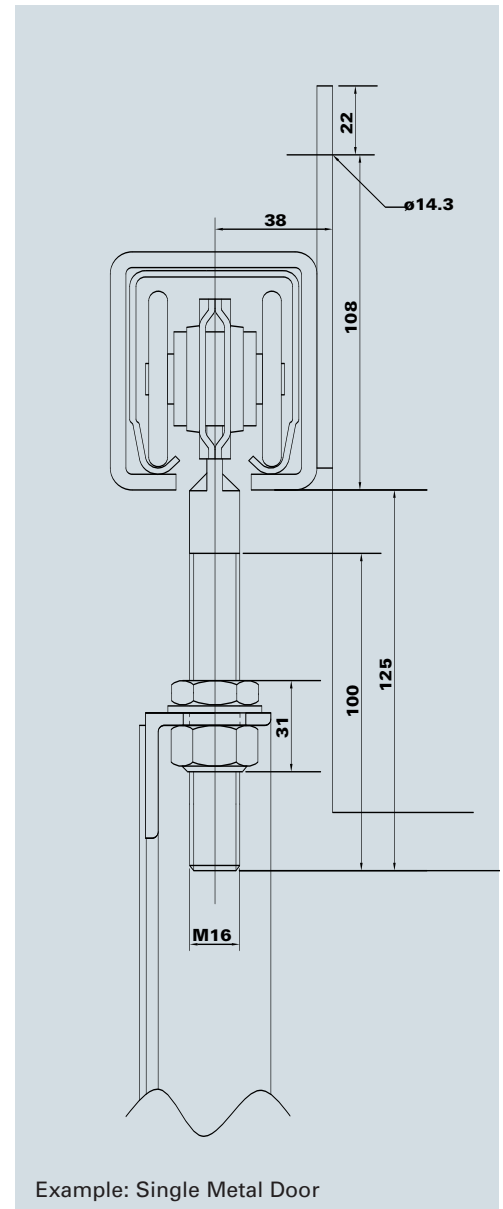
Designed for large and heavy industrial, commercial and agricultural doors. A special hanger is also available for fire doors.

Track joints are formed simply by butting the track ends together within a bracket which has locking bolts. Please specify the following jointing brackets: SKL301/501, SKL302/502, KKKL301/501, KKL301/501

K300	H 65mm	W 55mm	→ → 2mm
K500	H 65mm	W 55mm	→ → 2.5mm



Example: One timber and one metal door on double track

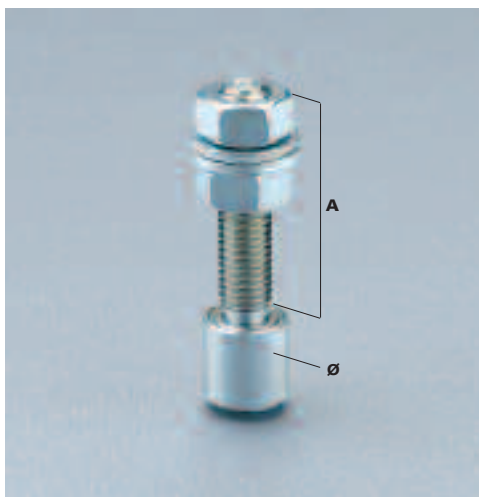


Example: Single Metal Door

Guide systems

These are essential for the correct use and safety of a sliding door

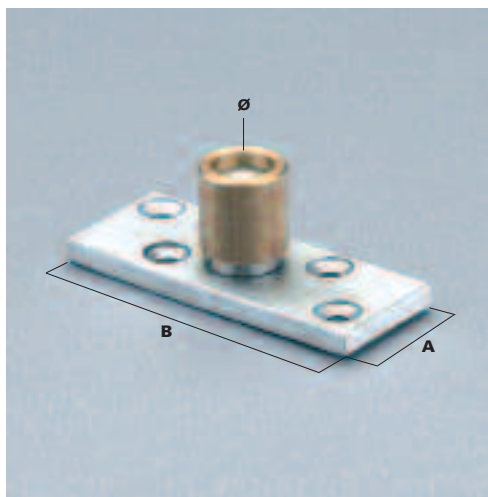
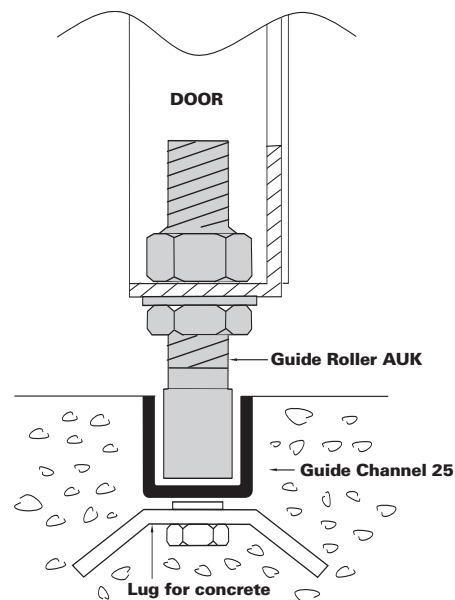
The most popular systems are full length ground channels (the same total of metres as the top track) with guides fixed to the bottom of the door. Alternatively, under door channels, wall or ground guides can be used.



GUIDE ROLLER AUK

For use on metal doors. Fit two per door.

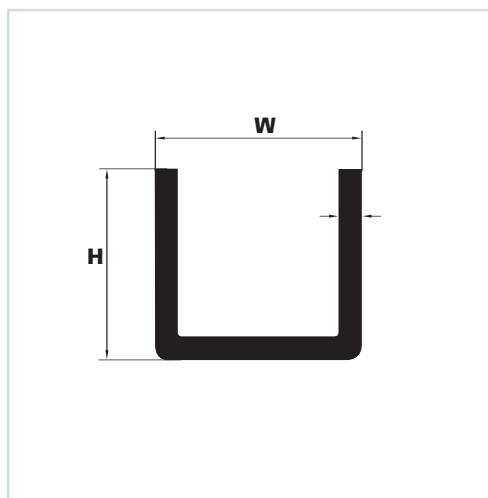
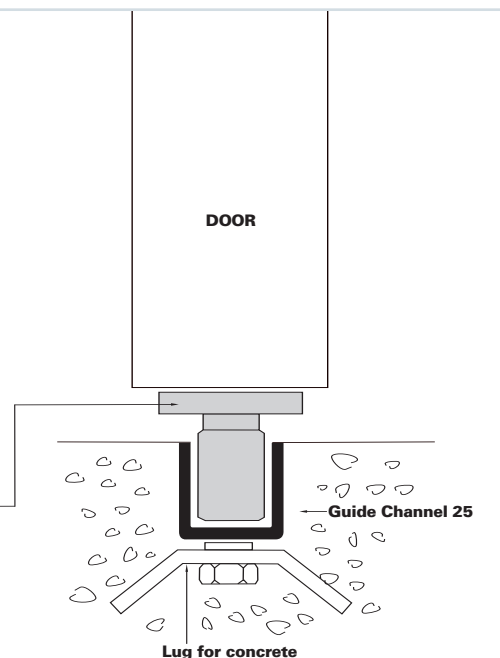
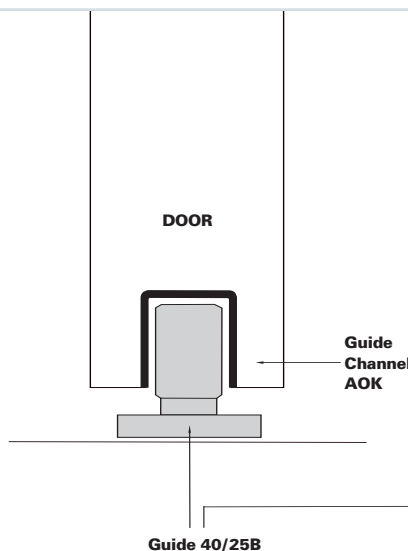
A M12 x 50mm ø 19mm



UNDER GUIDE ROLLER 40/25B

For timber or metal doors. Fit two per door when used with ground channels. Only one required if using under door channel.

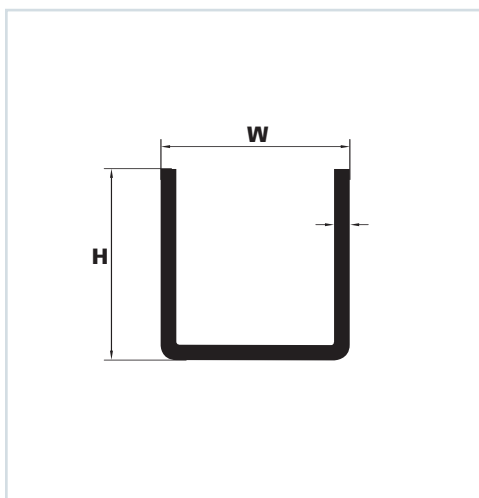
A 30mm B 75mm ø 19mm



GUIDE CHANNEL 25

Stock length: 3000mm. Red oxide painted steel. Drilled and supplied with lugs for concrete

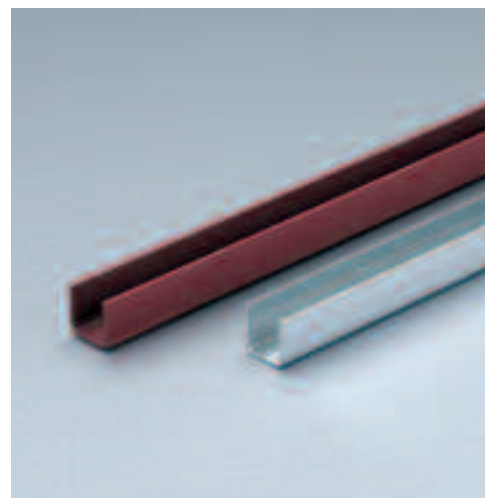
H 25mm W 27mm 3mm



GUIDE CHANNEL AOK

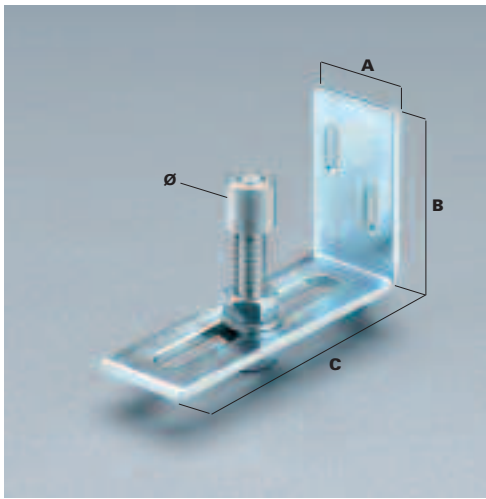
Stock Length: 2100mm. Zinc plated steel undrilled

H 25mm W 25mm 2mm



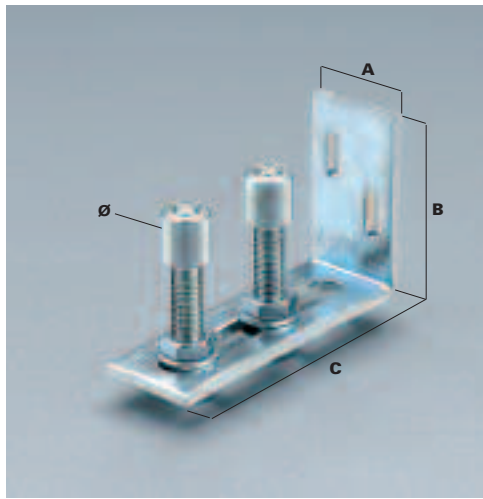
GUIDE CHANNELS

Note: Channel AOK is only suitable for pedestrian traffic when fitted as a ground channel.



WALL GUIDE AO – 12

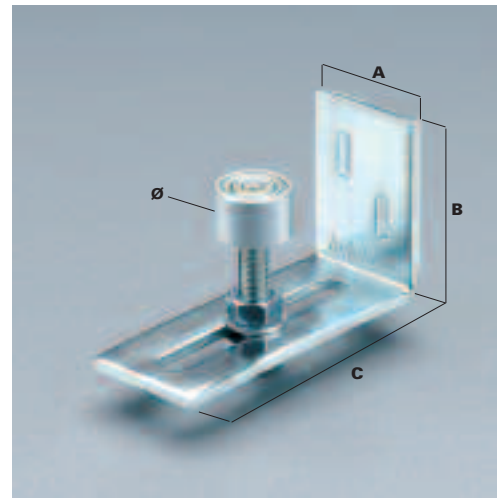
A 40mm	B 76mm	C 125mm
Ø 19mm	slot length 100mm	
X Minimum 15mm		



WALL GUIDE AO – 22

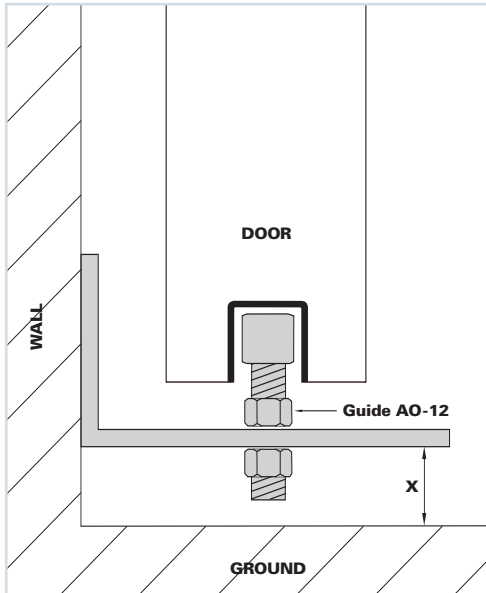
Maximum door thickness: 65mm

A 40mm	B 76mm	C 125mm
Ø 19mm	slot length 100mm	
X Minimum 15mm		

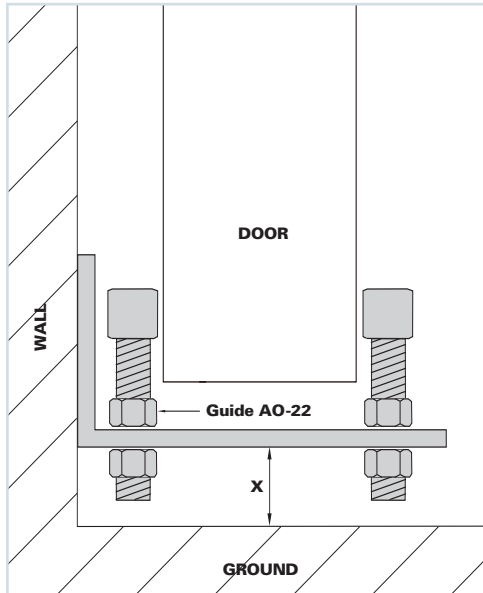


WALL GUIDE AO – 13

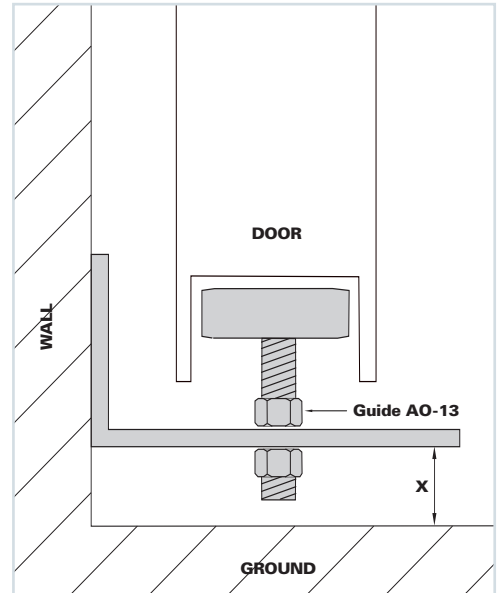
A 40mm	B 76mm	C 125mm
Ø 30mm	slot length 100mm	
X Minimum 15mm		



Typical example of Guide AO-12 on a timber door using Channel AOK



Typical example of Guide AO-22



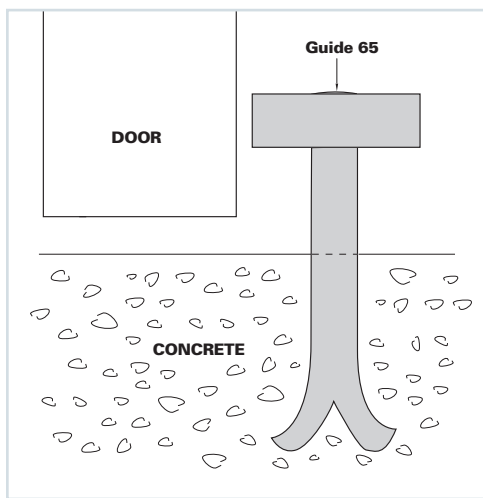
Typical example of Guide AO-13 on a metal door



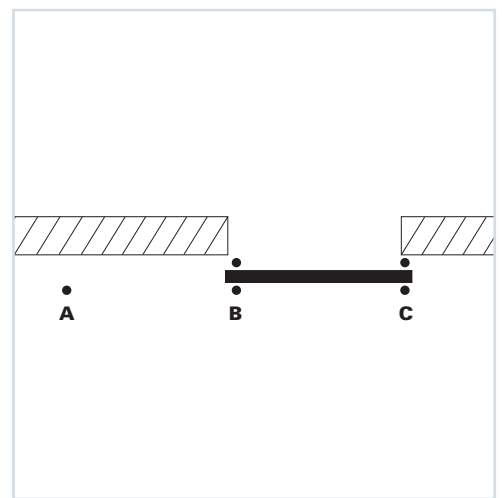
GROUND GUIDE 65

Designed for setting into concrete

A: 140mm	Δ: 40mm
----------	---------



Typical example of Guide 65



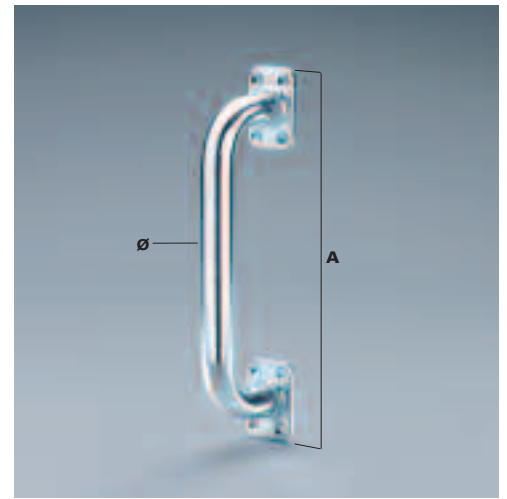
Installation

When using ground or wall guides, the door must be 'in contact' at all times with the centre guide 'B'. The guides at point 'A' and 'C' add stability in the open and closed positions.

Handles and doors stops

Handles: We recommend a combination of bow handles and flush pulls; the latter are required on the side of the door which slides flush to a wall or the opposing faces of double doors. The handles are manufactured from zinc plated steel.

Door stops: These must be fitted to ensure safe operation of the door. We suggest track stops for most applications but for external doors over 3m high we recommend an extra ground / wall stop is fitted.

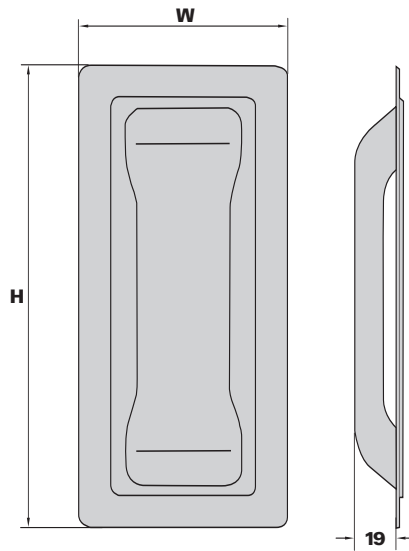


BOW HANDLES 561 AND 564

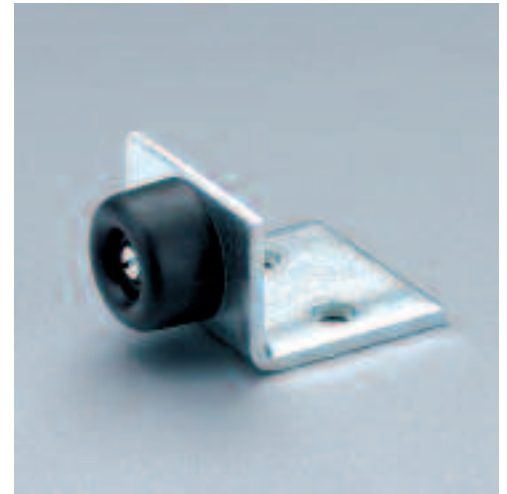
561	A 230mm	ø 20mm
564	A 345mm	ø 28mm



FLUSH PULLS 511F AND 501F



511F	W 52mm	H 115mm
501F	W 90mm	H 200mm



GROUND/WALL DOOR STOP P



TRACK STOP KP075



TRACK STOP KP150



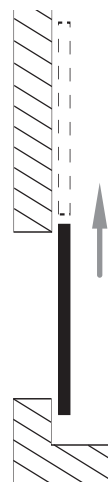
TRACK STOP KP300 – 500

Guides to quantities

We show below the most common applications for sliding doors with charts to determine the correct hardware that is required. The number of brackets has been calculated on the standard 1000mm centres. Should the doors be abnormally heavy for their size, subject to heavy usage or high wind loading, then increase the number of brackets by reducing the centres to 500mm. A suitable bottom guide system must always be installed.

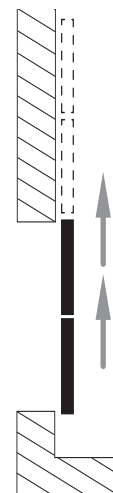
Single door sliding on a single line of track

opening width	track	brackets	joint brackets	end clips	hangers
1000mm	1x2m	3	N/A	2	2
1500mm	1x3m	4	N/A	2	2
2000mm	2x2m	4	1	2	2
2500mm	1x3m 1x2m	5	1	2	2
3000mm	2x3m	6	1	2	2
4000mm	2x3m 1x2m	7	2	2	2
5000mm	2x3m 2x2m	8	3	2	2



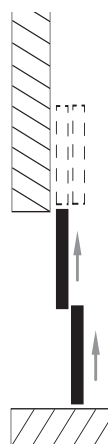
Two doors sliding on a single track

opening width	track	brackets	joint brackets	end clips	hangers
2000mm	2x2m	4	1	2	4
3000mm	2x3m	6	1	2	4
4000mm	2x3m 1x2m	7	2	2	4
5000mm	2x3m 2x2m	8	3	2	4
6000mm	4x3m	10	3	2	4
7000mm	4x3m 1x2m	11	4	2	4
8000mm	4x3m 2x2m	12	5	2	4
10000mm	6x3m 1x2m	16	5	2	4

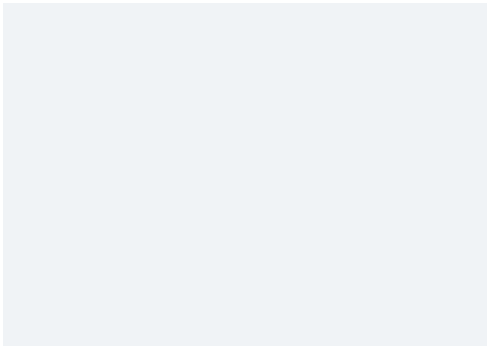
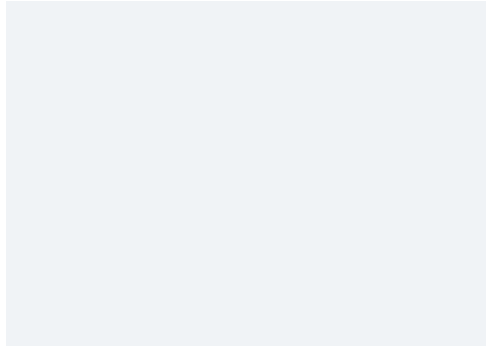
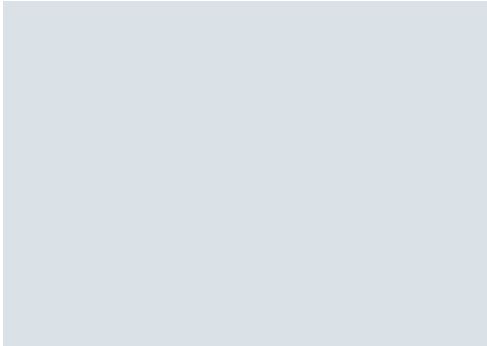
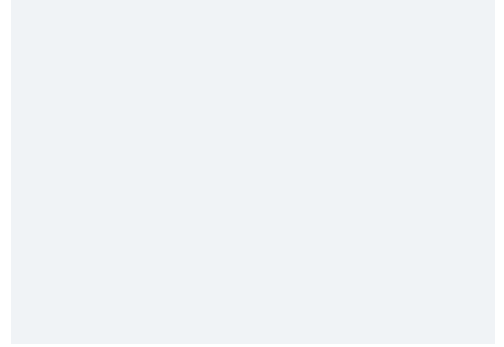
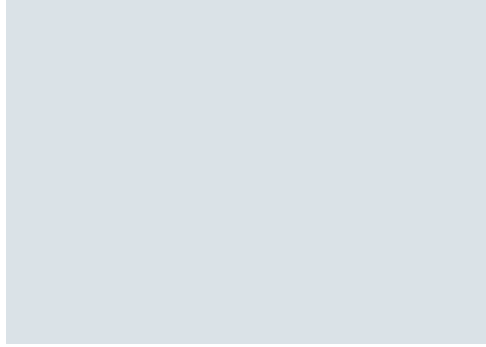
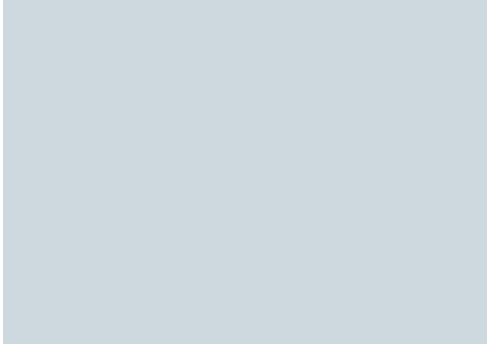
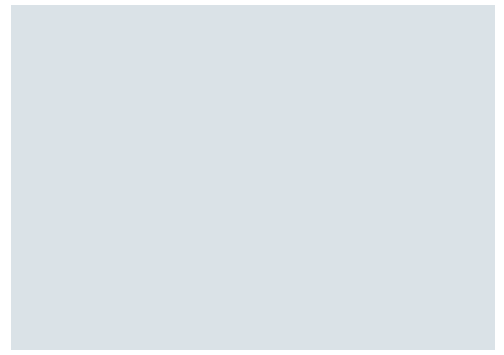
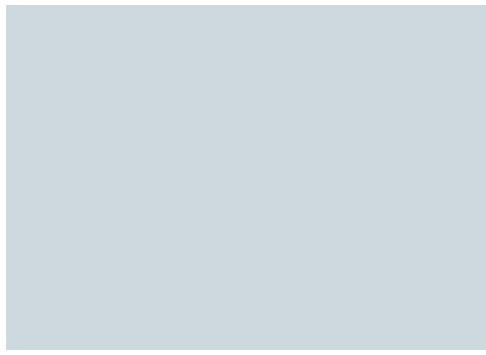


Two doors sliding on a double track and double brackets

opening width	track	brackets	joint brackets	end clips	hangers
2000mm	2x3m	4	N/A	4	4
3000mm	2x3m 2x2m	5	1	4	4
4000mm	4x3m	6	1	4	4
5000mm	4x3m 2x2m	7	2	4	4
6000mm	6x3m	8	2	4	4
7000mm	6x3m 2x2m	9	3	4	4
8000mm	8x3m	10	3	4	4



**architectural
commercial
industrial**



Universal Hardware Direct UK Ltd
Unit 202 Kingspark Business Centre,
152 – 178 Kingston Road,
New Malden,
Surrey,
KT3 3ST
Tel: 020 8605 1087
Fax: 020 8605 1088
web: www.hardwaredirectuk.co.uk
Company Reg: 4582225

