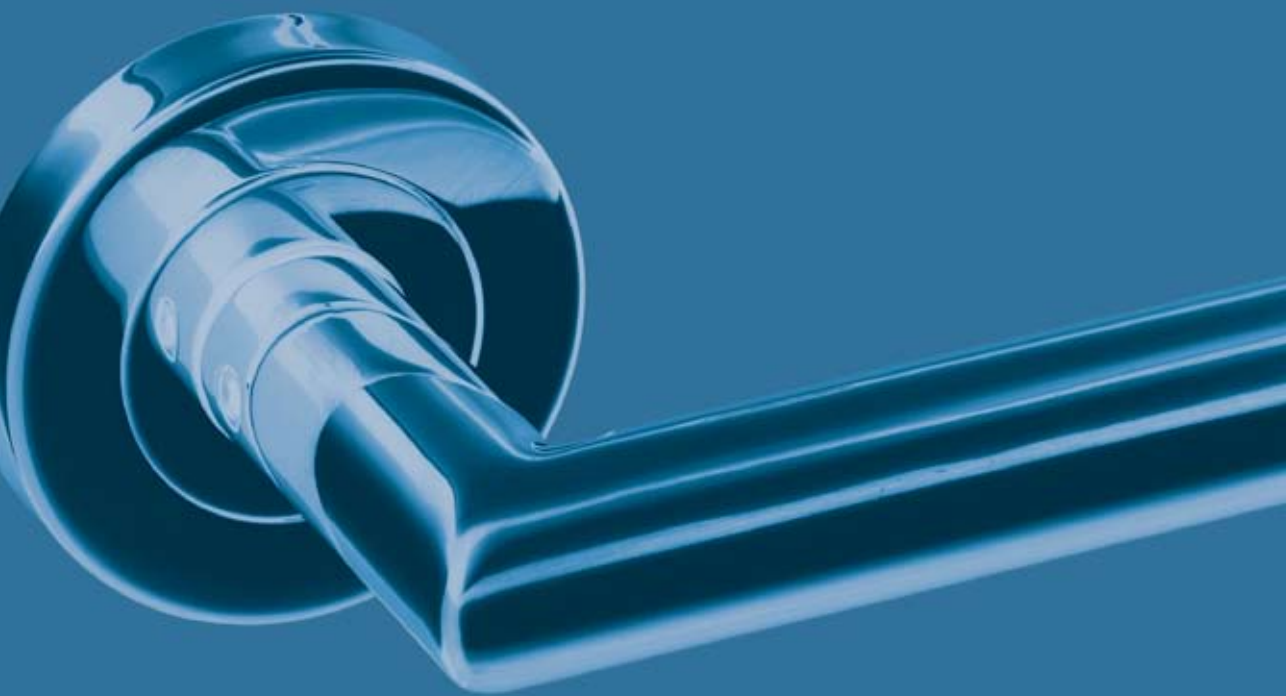




**Access Hardware Ltd**

Architectural Stainless Steel

— *Lever Handles on Rose* —



*Stylishly Simple*

PRODUCT | RANGE

*Stylishly Simple*

---



## Introduction

Access Hardware offers a quality range of stainless steel lever handles at competitive prices. All designs are suitable for commercial and residential use.

## Material

All products in this range are manufactured from grade 304 stainless steel.

Standard grade 304 stainless steel is both strong and corrosion resistant. It is suitable for most applications.

Marine grade 316 stainless steel having better corrosion resistance is recommended for polluted, coastal or chloride environments.

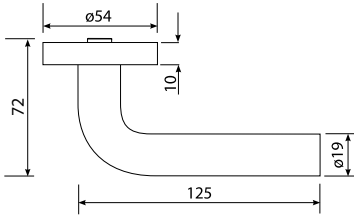
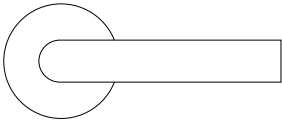
## Finish

SSS – Satin Stainless Steel (Brushed finish)

PSS – Polished Stainless Steel (Mirror finish)

# Levers

---

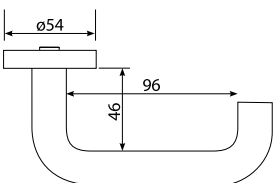
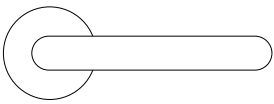


## A10 Lever on round rose

10mm Sprung covered rose

Bolt through fixings and  
wood screws supplied

**Finish:** SSS, PSS



## A12 Lever on round rose

**DDA Compliant**

Available:

19mm diameter, 5mm unsprung covered rose

19mm diameter, 10mm sprung covered rose

22mm diameter 10mm sprung covered rose

Bolt through fixings and wood screws supplied

**Finish:** SSS, PSS



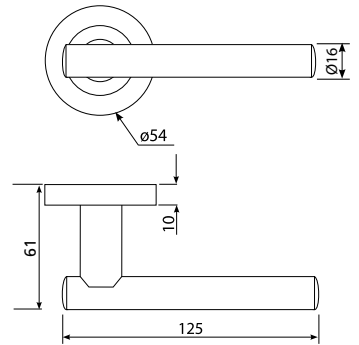
## B13 Lever on Round Rose

Straight lever on 10mm sprung covered rose

Fully removable rose for ease of fitting

Bolt through fixings and wood screws supplied

Finish: SSS, PSS



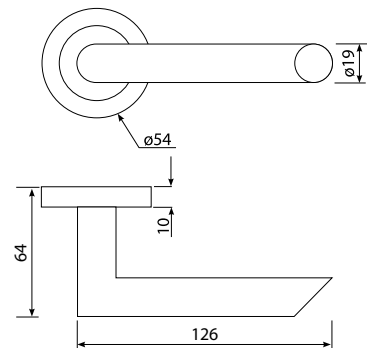
## B14 Lever on Round Rose

Mitred lever on 10mm sprung covered rose

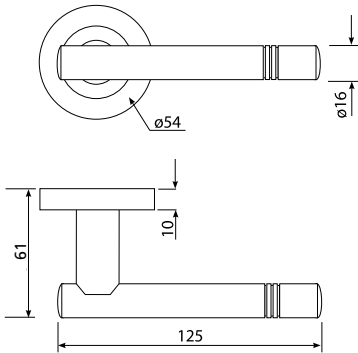
Fully removable rose for ease of fitting

Bolt through fixings and wood screws supplied

Finish: SSS, PSS



# Levers



## B15

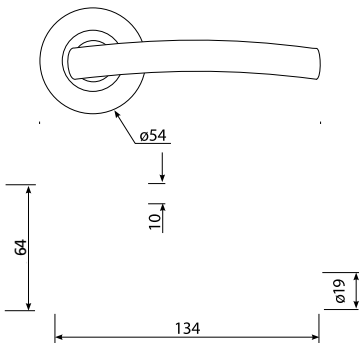
### Lever on Round Rose

Straight lever on 10mm sprung covered rose

Fully removable rose for ease of fitting

Bolt through fixings and wood screws supplied

Finish: SSS, PSS



## B17

### Lever on Round Rose

Curved lever on 10mm sprung covered rose

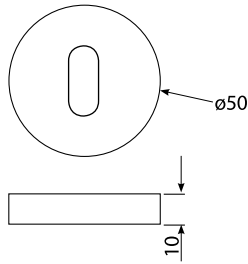
Fully removable rose for ease of fitting

Bolt through fixings and wood screws supplied

Finish: SSS, PSS

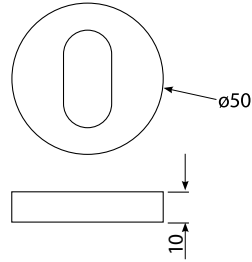
## A8310 Standard keyhole escutcheon

Concealed fix  
Screw fixings supplied  
Finish: SSS, PSS



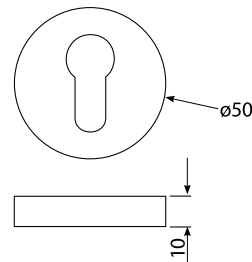
## A8410 Oval cylinder escutcheon

Concealed fix  
Screw fixings supplied  
Finish: SSS, PSS



## A8510 Euro profile cylinder escutcheon

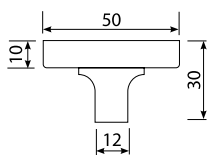
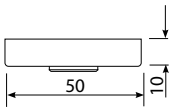
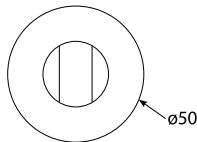
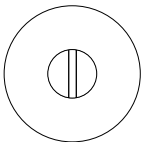
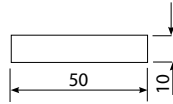
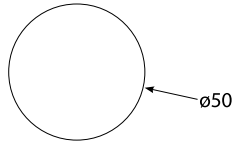
Concealed fix  
Screw fixings supplied  
Finish: SSS, PSS



# Escutcheons

## A8210 Blind escutcheon

Concealed fix  
Wood screws supplied  
Finish: SSS, PSS



## A9010 Bathroom snib and release

Concealed fix  
Wood screws supplied  
Finish: SSS, PSS



# Thumb Turns

## A9610 Bathroom Snib and release indicator

Concealed fix  
Wood screws supplied  
Finish: SSS, PSS



## A9710 Disabled bathroom Snib and release indicator

Concealed fix  
Wood screws supplied  
Finish: SSS, PSS



# General Information

---

## Guarantee

Access Hardware guarantees the products in this catalogue against defects in workmanship and materials subject to fair wear and tear in standard atmospheric conditions for a period of 10 years.

Access Hardware assumes no liability for:

- Improper installation or failure to follow fitting instructions.
- Improper maintenance or unfair wear and tear.
- Indirect or consequential loss or damage.
- Cost of removal and/or replacement.
- Cost of freight and/or travelling expenses.
- Although our stainless steel products are suitable for most applications, neither grade 304 or 316 is unconditionally guaranteed and advice should be sought from one of our representatives.

## Care and Maintenance

To retain the highest corrosion resistance it is necessary to keep the surface of stainless steel clean. This can be done by wiping with a clean cloth using either a mild detergent or soap, then rinsing with warm clean water and drying with a towel. Carbon steel brushes or wire wool should not be used. Comprehensive instructions are available upon request.

## Change of Product Specifications

As a result of continuous improvements to our products, we reserve the right to alter standard product specifications and dimensions without prior notice.



*Stylishly Simple*



**Access Hardware Ltd**

Green Lane | Studley | Warwickshire | B80 7EY

Tel: 01527 852 948 | Fax: 01527 854 192

Email: [sales@accesshardware.co.uk](mailto:sales@accesshardware.co.uk)  
[www.accesshardware.co.uk](http://www.accesshardware.co.uk)

Contact Distributor