

## ARRONE<sup>®</sup> Avanté Four Electromagnetic Door Closer Hold Open/Swing Free

Power size 3-4 Variable by Template

### application

- Ideal for use in Hospitals, Nursing and Convalescent Homes. Often used in conjunction with a detector/alarm system. When used in hold open or swing free application the door will automatically close upon the activation of the fire alarm or power failure.

### standards and certification

- ✓ **Quality & Performance:** Successfully type tested for conformity to all the requirements of BS EN1155: 1997

3	8	4	1*	1	3
---	---	---	----	---	---

- ISO Manufactured by an ISO 9000 Registered Company

- 🔥 **Fire Safety:** Included in a successful fire test to BS EN1634 Part 1: 2000. Assessed for use on 30 min, 1 hour & 2 hour fire doors

- CE **CE Marked:** Declaration of conformity available on request

- certifire **Certifire Approved Product:** Certificate CF322

- ♿ **Conformity Statement:** These products can satisfy the opening force recommendations of BS8300 and Approved Document "M" when fitted to a minimum door width of 826mm and has been 3rd party laboratory tested accordingly. However, consideration must be given to other installed hardware and differential air pressures within the building which can affect the overall performance of the closer.

### standard features

- Power size 3-4 by template in accordance with BS EN1155:1997
- Suitable for use on doors up to 1100mm wide/80kg weight
- Cam and roller mechanism
- Universal application
- Adjustable Arm
- Adjustable closing speed and latch action
- Voltage 24v DC (requires a transformer)
- Aluminium slide cover and end caps
- On site selection hold open – swing free
- Supplied with armoured loop and test switch terminal box for testing purposes

### accessories

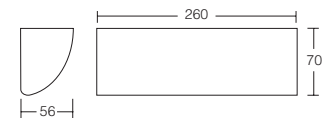
- Transformer rectifier units to suit 1-5 (AR-TR5), 1-15 (AR-TR15) or 1-25 (AR-TR25) units

### cover, arm & end cap finishes

- Silver, Polished Brass, Polished & Satin Aluminium, Polished & Satin Stainless Steel, RAL Colours

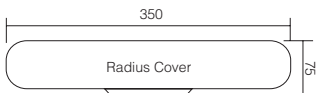
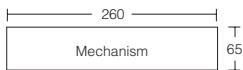
### guarantee

- Supported by a 10 Year Mechanical and a 2 Year Electrical Guarantee



# ARRONE® Architectural Plus Electromagnetic Door Controls

## ARRONE® 1998 Series Electromagnetic Door Closer Hold Open/Swing Free



### Power size 3-4 Variable by Template

#### application

- Ideal for use in Hospitals, Nursing and Convalescent Homes. Often used in conjunction with a detector/alarm system. When used in hold open or swing free application the door will automatically close upon the activation of the fire alarm or power failure.

#### standards and certification



**Quality & Performance:** Successfully type tested for conformity to all the requirements of BS EN1155: 1997

3	8	$\frac{4}{3}$	1*	1	3
---	---	---------------	----	---	---



Manufactured by an ISO 9000 Registered Company



**Fire Safety:** Included in a successful fire test to BS EN1634 Part 1: 2000. Assessed for use on 30 min, 1 hour & 2 hour fire doors



**CE Marked:** Declaration of conformity available on request



**Certifire Approved Product:** Certificate CF494



**Conformity Statement:** These products can satisfy the opening force recommendations of BS8300 and Approved Document "M" when fitted to a minimum door width of 826mm and has been 3rd party laboratory tested accordingly. However, consideration must be given to other installed hardware and differential air pressures within the building which can affect the overall performance of the closer.

#### standard features

- Variable power size 3-4 by template in accordance with BS EN1155:1997
- Suitable for use on doors up to 1100mm wide/80kg weight
- Extruded aluminium body
- Cam and roller mechanism
- On site selection of either swing free or hold open application
- Universal application
- Flexible link and terminal box
- Switch for testing purposes
- Adjustable arm
- Adjustable closing speed and latch action
- Voltage 24v DC (requires a transformer)
- Radius or designer metal cover

#### accessories

- Transformer rectifier units to suit 1-5 (AR-TR5), 1-15 (AR-TR15) or 1-25 (AR-TR25) units

#### cover finishes

- Silver, Gold, Polished Brass, Polished & Satin Stainless/Chrome, RAL Colours

#### arm finishes

- Silver, Gold, Polished Brass, Polished & Satin Stainless/Chrome, RAL Colours

#### guarantee

- Supported by a 10 Year Mechanical and a 2 Year Electrical Guarantee

## ARRONE<sup>®</sup> Electromagnetic Door Holders (Point Magnets)

### application

- Electromagnetic door holders are designed to hold the door in the open position allowing it to close when the fire alarm is activated or the power fails. Recommended for use in conjunction with overhead door closers or floor springs.

### accessories

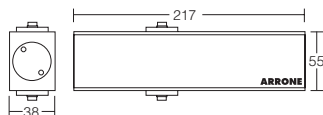
- Transformer rectifier units to suit 1-5 (AR-TR5), 1-15 (AR-TR15) or 1-25 (AR-TR25) units

PRODUCT REF	DESCRIPTION	FINISH
<b>AR8087-WH</b>	Surface mounted door holder	<b>White</b>
<b>AR8057-WH</b>	Floor mounting bracket	<b>White</b>
<b>AR8159-CH</b>	Flush mounted door holder	<b>Polished Chrome</b>
<b>AR8159-PB</b>	Flush mounted door holder	<b>Polished Brass</b>
<b>AR8259-CH</b>	Flush mounted door holder with test switch	<b>Polished Chrome</b>
<b>AR8259-PB</b>	Flush mounted door holder with test switch	<b>Polished Brass</b>



# ARRONE® Door Controls

## ARRONE® 7200 Series Door Closer



### Power Size 2-4 Variable by Template

#### application

- This versatile slim-line unit makes it ideally suited for many medium frequency commercial applications where style, finish and performance are required.

#### standards and certification



**Quality & Performance:** Successfully type tested for conformity to all the requirements of BS EN1154: 1997

3	8	$\frac{4}{2}$	1*	1	3
---	---	---------------	----	---	---



Manufactured by an ISO 9000 Registered Company



**Fire Safety:** Included in a successful fire test to BS EN1634 Part 1: 2000. Assessed for use on 30 min, 1 hour & 2 hour fire doors



**CE Marked:** Declaration of conformity available on request



**Certifire Approved Product:** Certificate CF295

#### standard features

- Power size 2-4 variable by template in accordance with BS EN1154:1997
- Suitable for use on doors up to 1100mm wide/80kg weight
- Extruded aluminium body
- Rack and pinion mechanism
- Universal application
- Backcheck optional
- Adjustable snap arm - easy fix
- Adjustable closing speed and latch action
- Backcheck standard on plated finishes only (option on silver and gold)
- Matching arms

#### options

- Backcheck on silver/gold units only (Please specify if required)
- Hold open arms (silver only), (not to be used on fire resisting door sets)

#### finishes

- Silver, Gold, Polished Brass (simulated), Polished & Satin Stainless/Chrome (simulated)

#### guarantee

- Supported by a 10 Year Guarantee

Finish	Backcheck	
	Standard	Optional
Silver		✓
Gold		✓
Polished Brass	✓	
Polished & Satin Stainless/Chrome	✓	


## ARRONE® 7500 Series Door Closer

### Power Size 2-4 Variable by Template

#### application


- Combining the AR7200 mechanism with the new 'mini designer' metal cover makes the unit ideally suited for many medium frequency commercial applications where style, finish and performance are required.

#### standards and certification

-  **Quality & Performance:** Successfully type tested for conformity to all the requirements of BS EN1154: 1997

3	8	$\frac{4}{2}$	1*	1	3
---	---	---------------	----	---	---

-  Manufactured by an ISO 9000 Registered Company

-  **Fire Safety:** Included in a successful fire test to BS EN1634 Part 1: 2000. Assessed for use on 30 min, 1 hour & 2 hour fire doors

-  **CE Marked:** Declaration of conformity available on request

-  **Certifire Approved Product:** Certificate CF295

#### standard features

- Power size 2-4 variable by template in accordance with BS EN1154:1997
- Suitable for use on doors up to 1100mm wide /80kg weight
- Extruded aluminium body
- Rack and pinion mechanism
- Universal application
- Backcheck optional
- Adjustable snap arm - easy fix
- Adjustable closing speed and latch action

#### options

- Backcheck
- Hold open arms (silver only), (not to be used on fire doors)

#### finishes

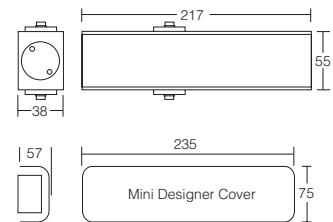
- Silver, Gold, Polished Brass, Polished & Satin Stainless/Chrome, RAL Colours

#### arm finishes

- Silver, Black

#### guarantee

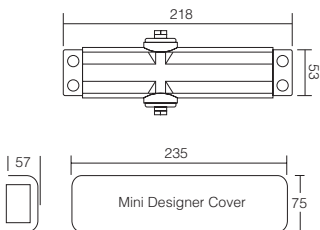
- Supported by a 10 Year Guarantee



Finish	Backcheck	
	Standard	Optional
Silver		✓
Gold		✓
Polished Brass	✓	
Polished & Satin Stainless/Chrome	✓	

# ARRONE® Door Controls

## ARRONE® 6800 & 6900 Series Door Closer



### Power Size 3

#### application

- This traditional contract unit (AR6800) is widely used in many light frequency commercial applications (especially fire doors) where performance and reliability is required.
- The addition of our 'mini-designer' metal cover (AR6900) further enhances this popular closer.

#### standards and certification



**Quality & Performance:** Successfully type tested for conformity to all the requirements of BS EN1154: 1997

3	8	$\frac{4}{2}$	1*	1	3
---	---	---------------	----	---	---



Manufactured by an ISO 9000 Registered Company



**Fire Safety:** Included in a successful fire test to BS EN1634 Part 1: 2000. Assessed for use on 30 min, 1 hour & 2 hour fire doors



**CE Marked:** Declaration of conformity available on request



**Certifire Approved Product:** Certificate CF503

#### standard features

- Fixed Power size 3 in accordance with BS EN1154:1997 (Power size 3 achieved in both Fig. 1 & Fig. 6 application)
- Suitable for use on doors 950mm maximum / 60kg weight
- Rack & Pinion Mechanism
- Universal Application
- Adjustable snap arm - easy fix
- 6800 - Matching armset
- 6900 - Black Arm
- Adjustable Closing Speed / Latch Action

#### finish - AR6800

- Silver, Gold

#### finish - AR6900

- Silver, Gold, Polished Brass, Polished & Satin Stainless/Chrome, RAL Colours

#### guarantee

- Supported by a 10 Year Guarantee

## ARRONE® 400 Series Door Closer

### Fixed Power Size 3

#### application

- Suitable for light duty internal doors.

#### standards and certification

**ISO** Manufactured by an ISO 9000 Registered Company

**Fire Safety:** Included in a successful fire test to BS 476 to 30 min

#### standard features

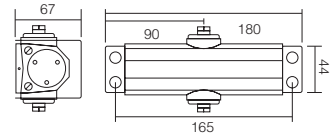
- Fixed power size 3 – Suitable for doors up to 950mm wide/60kg weight
- Diecast body
- Rack and pinion mechanism
- Universal application
- Adjustable arm
- Adjustable closing speed and latch action
- Matching armsets

#### finishes

- Silver, Gold

#### guarantee

- Supported by a 10 Year Guarantee



## ARRONE® 1000 Series Door Closer

### Fixed Power Size 3

#### application

- AR400 unit with small rectangular metal cover. Suitable for light duty internal doors.

#### standards and certification

**ISO** Manufactured by an ISO 9000 Registered Company

**Fire Safety:** Included in a successful fire test to BS 476 to 30 min

#### standard features

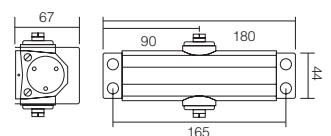
- Fixed power size 3 – Suitable for doors up to 950mm wide/60kg weight
- Diecast body
- Rack and pinion mechanism
- Universal application
- Adjustable arm
- Adjustable closing speed and latch action
- Black arms

#### cover finishes

- Silver, Gold, Polished Brass, Polished & Satin Stainless/Chrome, RAL Colours

#### guarantee

- Supported by a 10 Year Guarantee



# ARRONE® Slide Arm Door Controls

## ARRONE® Avanté Three Slide Arm Door Closer



### Power Size 2-4 Adjustable

#### application

- This innovative cam and roller mechanism slide arm unit is suited to applications where pleasing aesthetics and additional safety is required. Ideally suited to schools where a projecting arm can lead to vandalism.

#### standards and certification



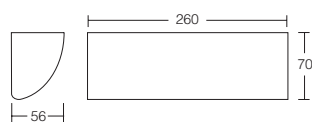
Manufactured by an ISO 9000 Registered Company



**Fire Safety:** Included in a successful fire test to BS EN1634 Part 1: 2000. Assessed for use on 30 min, 1 hour & 2 hour fire doors



**Certifire Approved Product:** Certificate CF322



#### standard features

- Power size adjustable 2-4 in accordance with BS EN1154:1997
- Suitable for use on doors up to 1100mm wide/80kg weight
- Extruded aluminium body
- Cam and roller mechanism
- Universal application
- Slide arm
- Adjustable latch action and closing speed
- Aluminium slide cover and end caps

#### options

- Backcheck

#### cover, arm & end cap finishes

- Silver, Polished Brass, Polished & Satin Aluminium, Polished & Satin Stainless Steel, RAL Colours

#### guarantee

- Supported by a 10 Year Guarantee



## ARRONE<sup>®</sup> 5300 & 5400 Series 'Slide Arm' Door Closer

### Fixed Power Size 3

#### application

- This highly specified slide arm unit is suited to applications where pleasing aesthetics and additional safety is required. Ideally suited to schools where a projecting arm can lead to vandalism.

#### standards and certification



**Quality & Performance:** Successfully type tested for conformity to all the requirements of BS EN1154: 1997

4	8	3	1*	1	3
---	---	---	----	---	---



Manufactured by an ISO 9000 Registered Company



**Fire Safety:** Included in a successful fire test to BS EN1634 Part 1: 2000. Assessed for use on 30 min, 1 hour & 2 hour fire doors



**CE Marked:** Declaration of conformity available on request



**Certifire Approved Product:** Certificate CF503

#### standard features

- Fixed power size 3 in accordance with BS EN1154
- Suitable for use on doors up to 950mm wide/60kg weight
- Extruded aluminium body
- Rack & pinion mechanism
- Adjustable closing speed and latch action
- Designer metal cover (AR5400 model only)

#### finishes – AR5300

- Silver, Gold

#### finishes – AR5400

- Silver, Gold, Polished Brass, Polished Stainless Steel/Chrome, Satin Stainless Steel/Chrome and RAL Colours

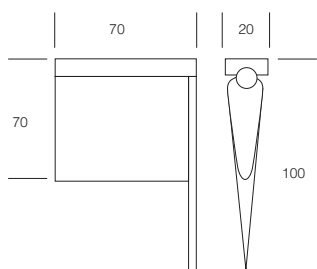
#### guarantee

- Supported by a 10 Year Guarantee



# Door Selectors

## ARRONE® Door Selector/ Co-ordinator Mk1 – AR226



### application

- The ARRONE® door selector enables a pair of self-closing doors with rebated meeting stiles to close in correct sequence automatically, no matter which door is opened first, maintaining the fire resistant seal.

### standards and certification



**Quality & Performance:** Successfully type tested (1,000,000 cycles) in accordance with BS EN1158

3	5	$\frac{5}{3}$	0	1	0
---	---	---------------	---	---	---

### features

- Suitable for use with power size 3-5 door closers
- Suitable for use on timber doors of any width up to 1220mm, and all standard thicknesses
- Suitable for rebates up to 25mm
- Extended arms available for special applications

### finishes

- Satin anodised aluminium

### guarantee

- Supported by a 10 Year Guarantee

## ARRONE® AR1990 Concealed Chain Door Closer (Square or Radiused Forend)



### application

- Suitable for use on 30 minute fire doors

### standards and certification



**Fire Safety:** Included in a successful fire test to BS 476 to 30 min

### finishes

- Electro Brass, Satin Chrome, Polished Chrome and Polished Brass

## Royde & Tucker Hercules Domestic Door Closer – RT1991



### application

- Suitable for internal doors

### finishes

- White, Polished Brass & Satin Stainless Steel

## ASTRA 1001 Concealed Door Closer

### Internal Domestic

#### features

- Manufactured in the UK, these door closers incorporate a quality spring and a unique hydraulic piston assembly offering a controlled rate of door closure together with an adjustable latching action.
- Non-handed, suitable for use on either right or left hand doors
- Square or radius forends

#### standards and certification

 Manufactured by an ISO 9000 Registered Company

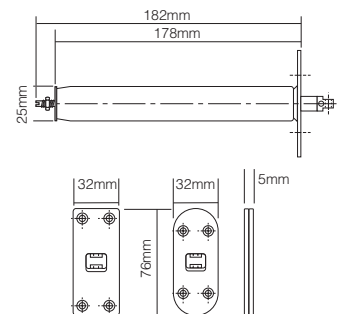


**Fire Safety:** Included in a successful fire test to BS EN1634 Part 1: 2000. Assessed for use on 30 min and 1 hour fire doors

- The 1001 is suitable for use on a 50kg door with a maximum opening angle of 100°

#### force profile

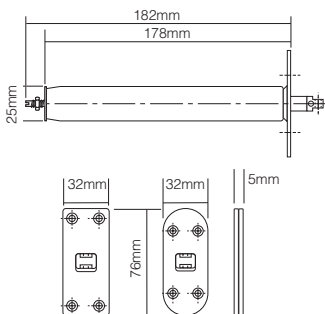
- The Astra 1001 door closer has a closing torque at 4° from the latch point of 8.75Nm



PRODUCT REF	DESCRIPTION	FINISH
<b>AST01BFS</b>	1001 hydraulic door closer square plate	<b>PB</b>
<b>AST01CFS</b>	1001 hydraulic door closer square plate	<b>PC</b>
<b>AST01SFS</b>	1001 hydraulic door closer square plate	<b>SC</b>
<b>AST01BFR</b>	1001 hydraulic door closer radius plate	<b>PB</b>
<b>AST01CFR</b>	1001 hydraulic door closer radius plate	<b>PC</b>
<b>AST01SFR</b>	1001 hydraulic door closer radius plate	<b>SC</b>

# ASTRA Concealed Door Closers

## ASTRA 1002 Concealed Door Closer



### External Domestic

#### features

- Manufactured in the UK, these door closers incorporate a quality spring and a unique hydraulic piston assembly offering a controlled rate of door closure together with an adjustable latching action.
- Non-handed, suitable for use on either right or left hand doors
- Square or radius forend

#### standards and certification



Manufactured by an ISO 9000 Registered Company



**Fire Safety:** Included in a successful fire test to BS EN1634 Part 1: 2000. Assessed for use on 30 min and 1 hour fire doors

- The 1002 is suitable for use on a 60kg door with a maximum opening angle of 100°

#### force profile

- The Astra 1002 door closer has a closing torque at 4° from the latch point of 12.25Nm

PRODUCT REF	DESCRIPTION	FINISH
<b>AST02BFS</b>	1002 hydraulic door closer square plate	<b>PB</b>
<b>AST02CFS</b>	1002 hydraulic door closer square plate	<b>PC</b>
<b>AST02SFS</b>	1002 hydraulic door closer square plate	<b>SC</b>
<b>AST02BFR</b>	1002 hydraulic door closer radius plate	<b>PB</b>
<b>AST02CFR</b>	1002 hydraulic door closer radius plate	<b>PC</b>
<b>AST02SFR</b>	1002 hydraulic door closer radius plate	<b>SC</b>


## ASTRA 3003 Concealed Door Closer

### Commercial


#### features

- Manufactured in the UK, these door closers incorporate a quality spring and a unique hydraulic piston assembly offering a controlled rate of door closure together with an adjustable latching action.
- Non-handed, suitable for use on either right or left hand doors
- Square or radius forend

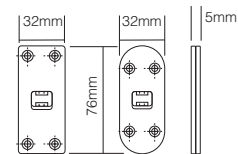
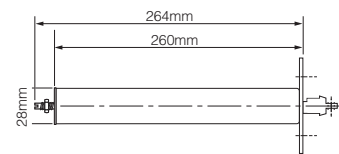
#### standards and certification

 **Quality & Performance:** At the time of going to press this product was undergoing third party independent testing to BS EN1154: 1997, Once this standard is successfully achieved both CE and CERTIFIRE certification will be applied for.

 Manufactured by an ISO 9000 Registered Company

 **Fire Safety:** Included in a successful fire test to BS EN1634 Part 1: 2000. Assessed for use on 30 min and 1 hour fire doors

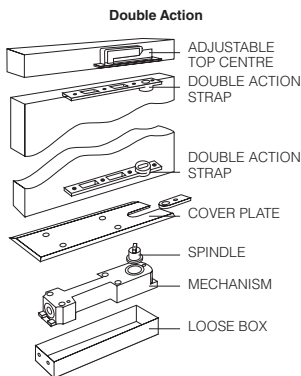
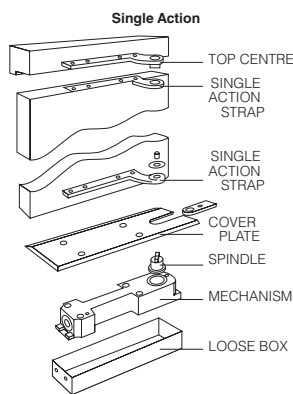
- The 3003 is suitable for use on a 60kg door



PRODUCT REF	DESCRIPTION	FINISH
<b>AST03BFS</b>	3003 hydraulic door closer square plate	<b>PB</b>
<b>AST03CFS</b>	3003 hydraulic door closer square plate	<b>PC</b>
<b>AST03SFS</b>	3003 hydraulic door closer square plate	<b>SC</b>
<b>AST03BFR</b>	3003 hydraulic door closer radius plate	<b>PB</b>
<b>AST03CFR</b>	3003 hydraulic door closer radius plate	<b>PC</b>
<b>AST03SFR</b>	3003 hydraulic door closer radius plate	<b>SC</b>

# ARRONE® Floor Springs & Accessories

## ARRONE® 800 Series Size 1 to 4 Floor Spring



### application

- An adjustable power unit which incorporates a proven cam action roller system combining smooth performance with reliability.

### standards and certification



**Quality & Performance:** Successfully type tested for conformity to all the requirements of BS EN1154: 1997

3	8	4 1	1*	1	3
---	---	--------	----	---	---



Manufactured by an ISO 9000 Registered Company



**Fire Safety:** Included in a successful fire test to BS EN1634 Part 1: 2000. Assessed for use on 30 min, 1 hour & 2 hour fire doors



**CE Marked:** Declaration of conformity available on request



**Certifire Approved Product:** Certificate CF495



**Conformity Statement:** These products can satisfy the opening force recommendations of BS8300 and Approved Document "M" and Approved Document M when fitted to a minimum door width of 826mm and has been 3rd party laboratory tested accordingly. However, consideration must be given to other installed hardware and differential air pressures within the building which can affect the overall performance of the closer.

### features

- Adjustable power size 1-4 (max door width 1100mm/max door weight 300kgs)
- Closing Speed Adjustment Range: Adjustment can be made throughout whole of 360° range (180° for single action)
- Latch Adjustment Range: Latching action can be adjusted final 10° of closing
- Backcheck Range: Backcheck can be adjusted between 70° and 90° or deactivated
- Stand Open (optional extra): Doors will stand open 90°. This feature must not be used on fire resisting doors
- Gel packs for wet areas available

### available kits:

- Single Action Unit Complete with Accessories Comprises: Mechanism, Floor Box, Accessory Pack and Cover Plate
- Double Action Unit Complete with Accessories Comprises: Mechanism, Floor Box, Accessory Pack and Cover Plate

### finishes:

- Satin Stainless Steel, Polished Stainless Steel and Polished Brass

### guarantee

- Supported by a 10 Year Guarantee

## Floor Spring Accessories

### Universal Mechanisms

PRODUCT REF	DESCRIPTION
<b>AR800M</b>	Universal floor spring mechanism only
<b>AR800M-SO</b>	Universal floor spring mechanism only – Stand open



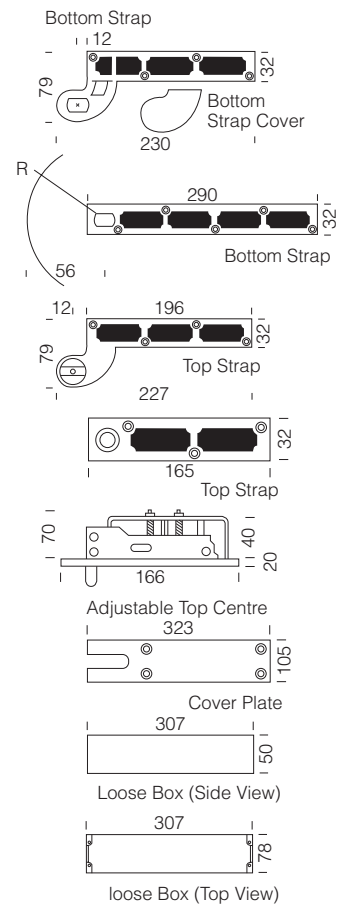
### Cover Plates

PRODUCT REF	DESCRIPTION	FINISH
<b>AR801-SSS</b>	Universal cover plate	<b>SSS</b>
<b>AR801-PSS</b>	Universal cover plate	<b>PSS</b>
<b>AR801-PB</b>	Universal cover plate	<b>PB</b>



### Single Action

PRODUCT REF	DESCRIPTION	FINISH
<b>AR800-ACC-SA-SSS</b>	Single action accessory pack	<b>SSS</b>
<b>AR800-ACC-SA-PSS</b>	Single action accessory pack	<b>PSS</b>
<b>AR800-ACC-SA-PB</b>	Single action accessory pack	<b>PB</b>
<b>AR802-SSS</b>	Single action bottom strap	<b>SSS</b>
<b>AR802-PSS</b>	Single action bottom strap	<b>PSS</b>
<b>AR802-PB</b>	Single action bottom strap	<b>PB</b>
<b>AR804-SSS</b>	Single action top centre	<b>SSS</b>
<b>AR804-PSS</b>	Single action top centre	<b>PSS</b>
<b>AR804-PB</b>	Single action top centre	<b>PB</b>

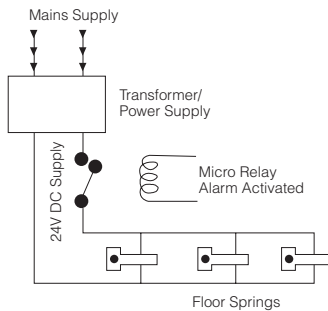


### Double Action

PRODUCT REF	DESCRIPTION	FINISH
<b>AR800-ACC-DA-SSS</b>	Double action accessory pack	<b>SSS</b>
<b>AR800-ACC-DA-PSS</b>	Double action accessory pack	<b>PSS</b>
<b>AR800-ACC-DA-PB</b>	Double action accessory pack	<b>PB</b>
<b>AR803-Z</b>	Double action bottom strap	<b>ZINC</b>
<b>AR805-SSS</b>	Double action top centre	<b>SSS</b>
<b>AR805-PSS</b>	Double action top centre	<b>PSS</b>
<b>AR805-PB</b>	Double action top centre	<b>PB</b>

# ARRONE® Floor Springs & Accessories

## ARRONE® 800E Series Electromagnetic Floor Spring (24v)



### Power Size 4

#### application

- Suitable for use on heavy duty fire resisting doors. Often used in conjunction with a detector/alarm system. When in hold open application the door will automatically close upon activation of the fire alarm or power failure.

#### standards and certification



**Quality & Performance:** Successfully type tested for conformity to all the requirements of BS EN1155: 1997

3	8	4 1	1*	1	3
---	---	--------	----	---	---



Manufactured by an ISO 9000 Registered Company



**Fire Safety:** Included in a successful fire test to BS EN1634 Part 1: 2000. Assessed for use on 30 min, 1 hour & 2 hour fire doors



**CE Marked:** Declaration of conformity available on request



**Certifire Approved Product:** Certificate CF495



**Conformity Statement:** These products can satisfy the opening force recommendations of BS8300 and Approved Document "M" and Approved Document M when fitted to a minimum door width of 826mm and has been 3rd party laboratory tested accordingly. However, consideration must be given to other installed hardware and differential air pressures within the building which can affect the overall performance of the closer.

#### standard features

- Power size 4 suitable for doors up to 1100mm wide/300kg weight
- Electromagnetic hold open
- 24 volt DC power supply transformer rectifiers are available to operate up to 50 units
- Switch for timber/metal doors
- Temperature stabilised fluid, together with thermo-constant valve to overcome temperature variance
- Steel loose box with adjustable fittings (307mm x 78mm x 50mm deep)
- Available as single action or double action
- External Use Only: Electromagnetic floor springs MUST NOT be used in external or wet area applications

#### cover plate finishes

- Polished Brass, Polished Stainless Steel and Satin Stainless Steel

#### accessories

- Single and double action accessory packs.
- Transformer rectifier units to suit 1-5 (AR-TR5), 1-15 (AR-TR15) or 1-25 (AR-TR25) units

#### guarantee

- Supported by a 10 Year Mechanical and a 2 Year Electrical Guarantee



## ARRONE<sup>®</sup> Door Operator

### Swing Door Operator

The Swing Door Operator is an Electromechanical system, with wind stop, push and go, and stepping functions.

#### technical specifications

- Power Supply - 230V AC / 50MHz
- IP Rating - IP22
- Slip Clutch on AR/E-DO9500 only
- Volt Free Contacts
- Opening time - 0-20 seconds or step by step
- Adjustable opening and closing speed
- On power failure the AR/E-DO9000 unit has spring return
- On power failure the AR/E-DO9500 unit has battery back up

#### ideal applications for:

- Intense traffic
- Hospitals
- Supermarkets
- Offices
- Airports

#### features

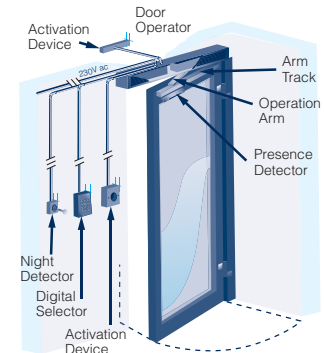
- Low energy unit
- Regulation of all opening and closing speeds
- Push & Go function
- Semi - automatic, (manual until triggered)
- Regulators for all acceleration and deceleration
- Safety sensor inhibiting distance in opening mode
- Pushing thrust limitation

#### important information

All installation must comply with BS7036 it is strongly advised to install:

1. Safety Presence Detectors to prevent the door coming into contact with pedestrians or other objects.
2. Door Loop to carry the cable between the Presence Detectors and Door Operator Unit.
3. Fingershield installed to the hinge side of the door to reduce the risk of finger entrapment.
4. Door Sign "Caution Automatic Door"

NB. For a Survey Report Form to select the correct size of Swing Door Operator and Accessories i.e Motion and Presence Sensor or Remote Control Please contact the HOPPE (UK) Ltd Sales Office.



Professional Swing Door Operator  
**AR/E-DO9000**

Dimensions: 106(H) x 500(W) x 120(D)mm



Domestic Swing Door Operator  
**AR/E-DO9500**

Dimensions: 100(H) x 430(W) x 100(D)mm

ID NO	PRODUCT REF	DESCRIPTION
87105911	<b>AR/E-DO9000</b>	Professional Swing Door Operator
87105910	<b>AR/E-DO9500</b>	Domestic Swing Door Operator
87106698	<b>AR/E-C6035</b>	Microwave Switch PIR
87106699	<b>AR/E-C6036</b>	Presence Detector long
87106700	<b>AR/E-C6037</b>	Presence Detector short
87106701	<b>AR/E-C6038</b>	Automatic Door Sign Self Adhesive
87106702	<b>AR/E-C6039</b>	Finger Shield 2 metre

# Door Operators

## Digiway Automatic Door Operator



### 240V Door Operator

#### specification

- Input Voltage: 240V AC
- Operating Voltage: 12V DC
- Operating range: Door width 1 metre, up to 100Kg
- Dimension housing: 513 x 90 x 110mm
- Inward or Outward opening
- Double Door Intelligence - communications between both units
- Battery Standby Included
- Built-in radio receiver
- Full learn cycle
- Push & Go option
- Safety Sensing (obstacle detection)
- Go & Stop signals
- Override - door open or door closed
- Trigger Input (push-button, card reader etc)
- Stainless option for cover
- High quality, robust arms

#### standards and certification

- 72/23/CEE Low Voltage Directive
- 89/336/CEE Electromagnetic Compatibility Directive
- 99/05/CE Declaration of Conformity
- 89/106/CEE Construction materials (CPD)
- BS 7036 Code of practice for safety at powered doors for pedestrians use swing doors

#### options

- Presence detector
- PIR
- Key Switch
- Electric Locking
- Access Control Management System

ID NO	PRODUCT REF	DESCRIPTION
87108144	<b>AR/E-DWS102ACD</b>	Single Door Operator 230V AC 100kg Articulated Arm
87108145	<b>AR/E-DWS102SCD</b>	Single Door Operator 230V AC 100kg Sliding Arm
87108146	<b>AR/E-DWD102ACD</b>	Double Door Operators 230V AC 100kg Articulated Arm
87108147	<b>AR/E-DWD102SCD</b>	Double Door Operators 230V AC 100kg Sliding Arm
87108148	<b>AR/E-DGW-SS-COVER</b>	Stainless Steel cover for operator unit
87108149	<b>AR/E-DGW-SS-FILLER</b>	Stainless Steel filler 2 DigiWay units when used on double door includes radar unit

## ARRONE<sup>®</sup> Gate Operator

### Powered Arm Kits

#### features

- The Control Unit has the high voltage and low voltage isolated from each other this ensures there are no mistakes during connection, and improves the safety features of the system.
- High Quality Performance
- Complete Kit
- Up to 3 metre per leaf
- Automatic Self-Learn
- Obstacle Detection
- Pedestrian Mode
- Auto or Manual Operation
- Autotest Procedure
- Photo-Cell Test
- Weather Resistant
- Available for Single Gates
- Gate Status Output
- Comprehensive Instructions

#### specification

- Voltage: 230V AC
- Power: 450W
- Motorgears: 2
- Dimensions (controller): 319 x 223 x 92mm (H x W x D)
- Environmental (controller): IP55, -20°C to +50°C
- Weight (controller): 2.5Kg
- Inputs: Trigger, safety etc
- Outputs: Devices, Lock & Status
- Set Up: Self-Learn



ID NO	PRODUCT REF	DESCRIPTION
87108554	<b>AR/E-SW230AC</b>	Kit including 2 Operators
87108555	<b>AR/E-SW230AC1</b>	Kit including 1 Operator

