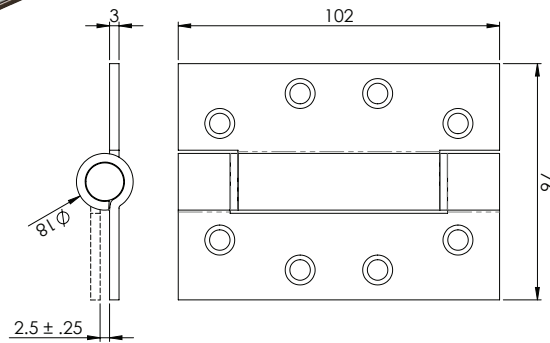
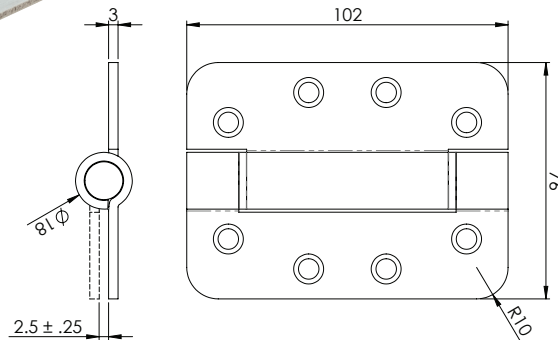


SPH1433



SPH1433/R



For FD30 use intumescent pack INT1433. One 0.8mm liner required behind each leaf. For FD60 use intumescent pack INT1433. Two 0.8mm liners required behind each leaf. 50mm screw pack ASS1020SSS also available.

STAINLESS STEEL ADJUSTABLE SELF CLOSING SPRING HINGE 4" x 3"

SPH1433
102 x 76 x 3mm

SPH1433/R
102 x 76 x 3mm

- Radius and Square Options
- Single Action Helical Spring Hinge
- 3 Pack

Merchant Packs:

SPH1433BSS/MP
SPH1433SSS/MP
SPH1433PVD/MP

Features and Benefits:



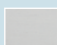

10 year mechanical guarantee.



FD30/60

For 30/60 minute timber fire doors
0.8mm intumescent required
(Code INT1433)

Finishes:

-  **BSS**
-  **PVD**
-  **SSS**